
**SERVICE MANUAL
ELECTRICAL DIAGRAMS
2011A**

*Maskin: U** Tergo*

Manual Nr: 119206

U** Tergo 2011w07-	WIRING DIAGRAM 147500 A.....	1.4
U** Tergo 2011w45-	CIRCUIT DIAGRAM 147501 A.....	1.18
U** Tergo 2010w37-	WIRING DIAGRAM OPTION 147502 A.....	1.42
U** Tergo 2011w06-	WIRING DIAGRAM OPTION 147502 B.....	1.44
U** Tergo 2011w06-	WIRING DIAGRAM OPTION 147504 A.....	1.46
U** Tergo 2011w07-	WIRING DIAGRAM OPTION 147505 A.....	1.48
U** Tergo 2012w06-	WIRING DIAGRAM OPTION 147506 A.....	1.50
U** Tergo 2011w06-	WIRING DIAGRAM OPTIONS 147506 B.....	1.52
U** Tergo 2011w06-	WIRING DIAGRAM OPTIONS 147508 A	1.54
U** Tergo 2011w06-	WIRING DIAGRAM OPTIONS 147509 A.....	1.56
U** Tergo 2011w06-	WIRING DIAGRAM OPTIONS 147510 A.....	1.58
U** Tergo 2011w06-	WIRING DIAGRAM OPTIONS 147511 A.....	1.60
U** Tergo 2011w06-	WIRING DIAGRAM OPTIONS 147511 B.....	1.62

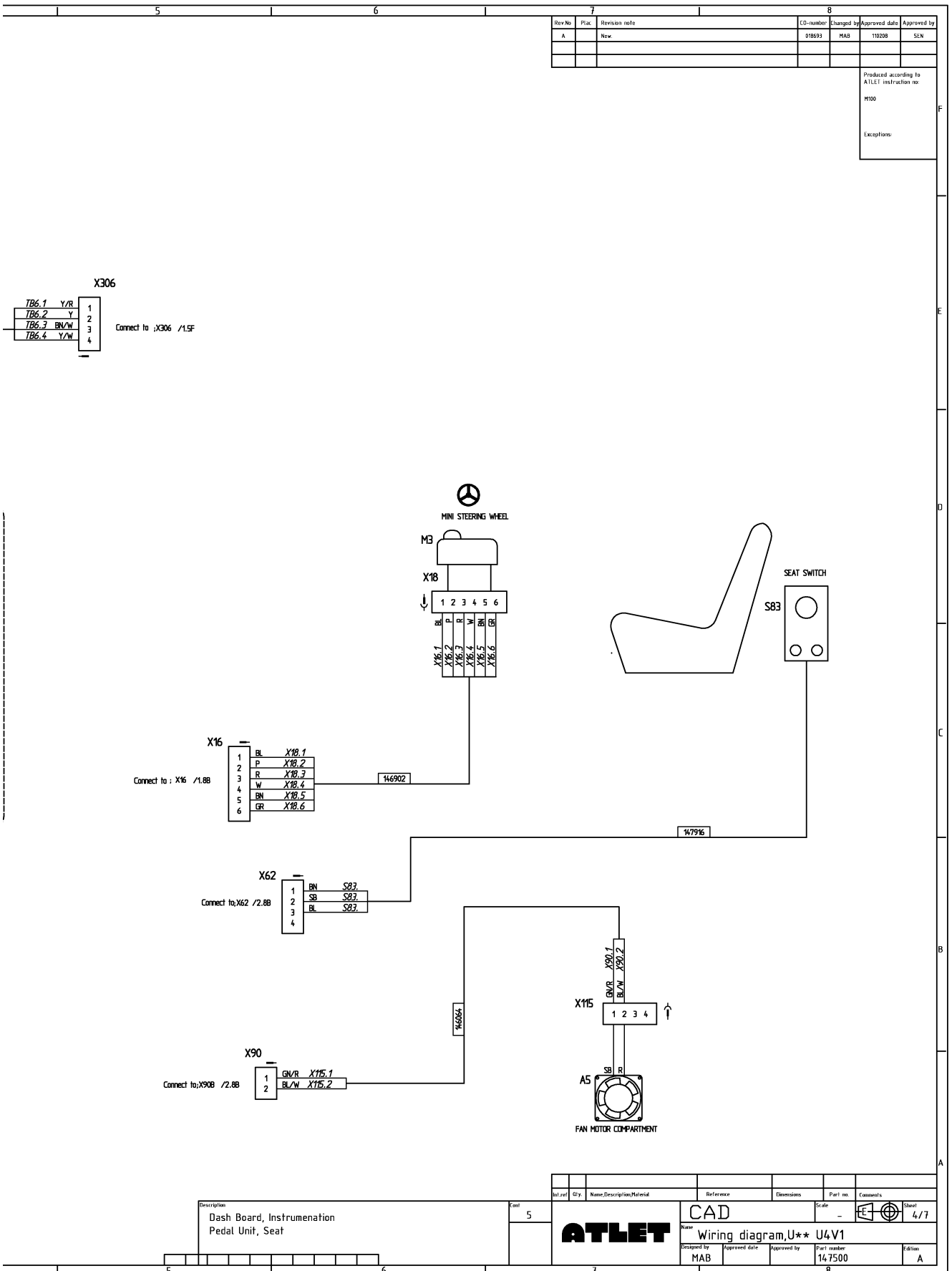
CLICK HERE TO **DOWNLOAD** THE COMPLETE MANUAL

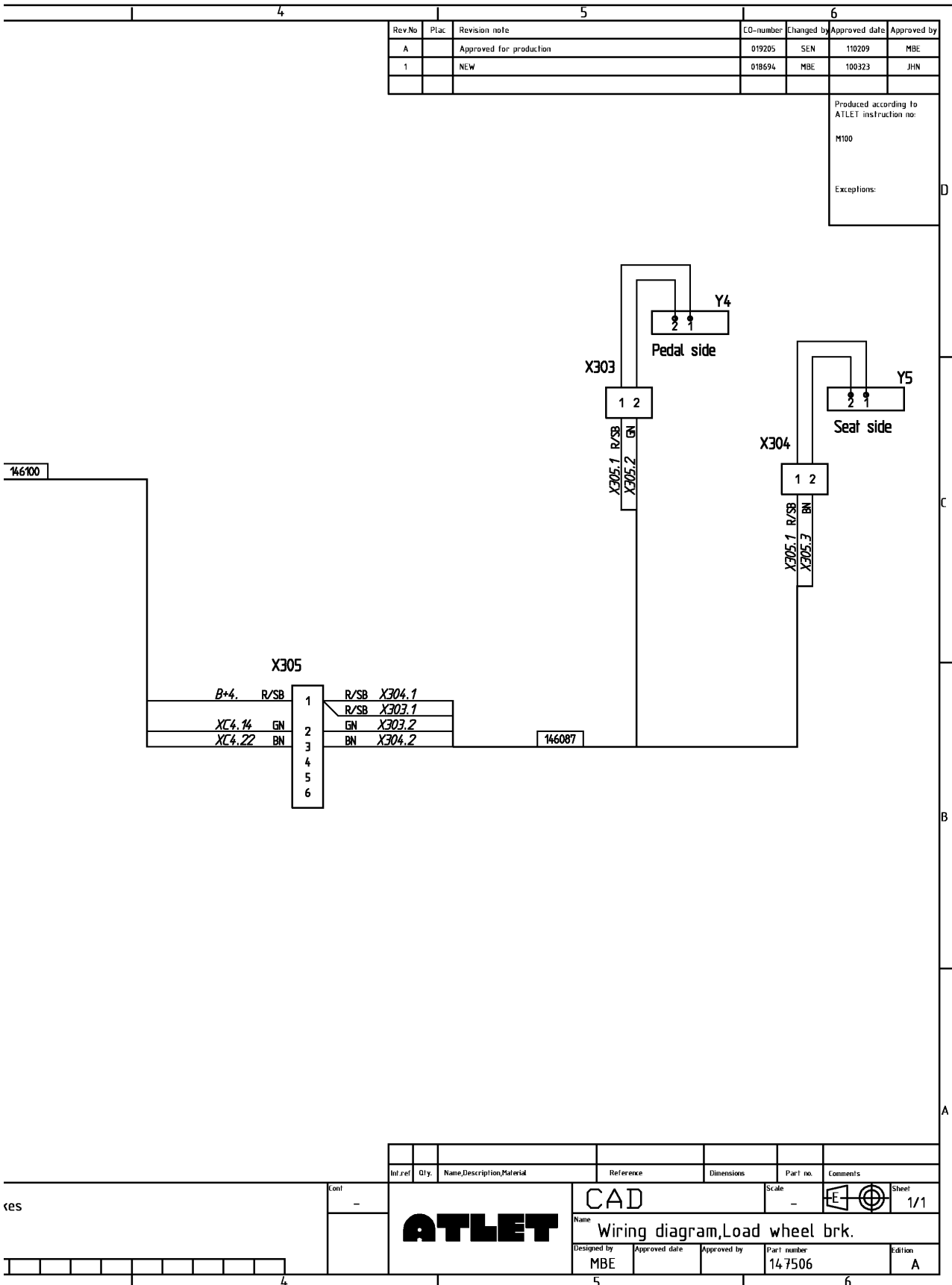
- Thank you very much for reading the preview of the manual.
- You can download the complete manual from: www.heydownloads.com by clicking the link below

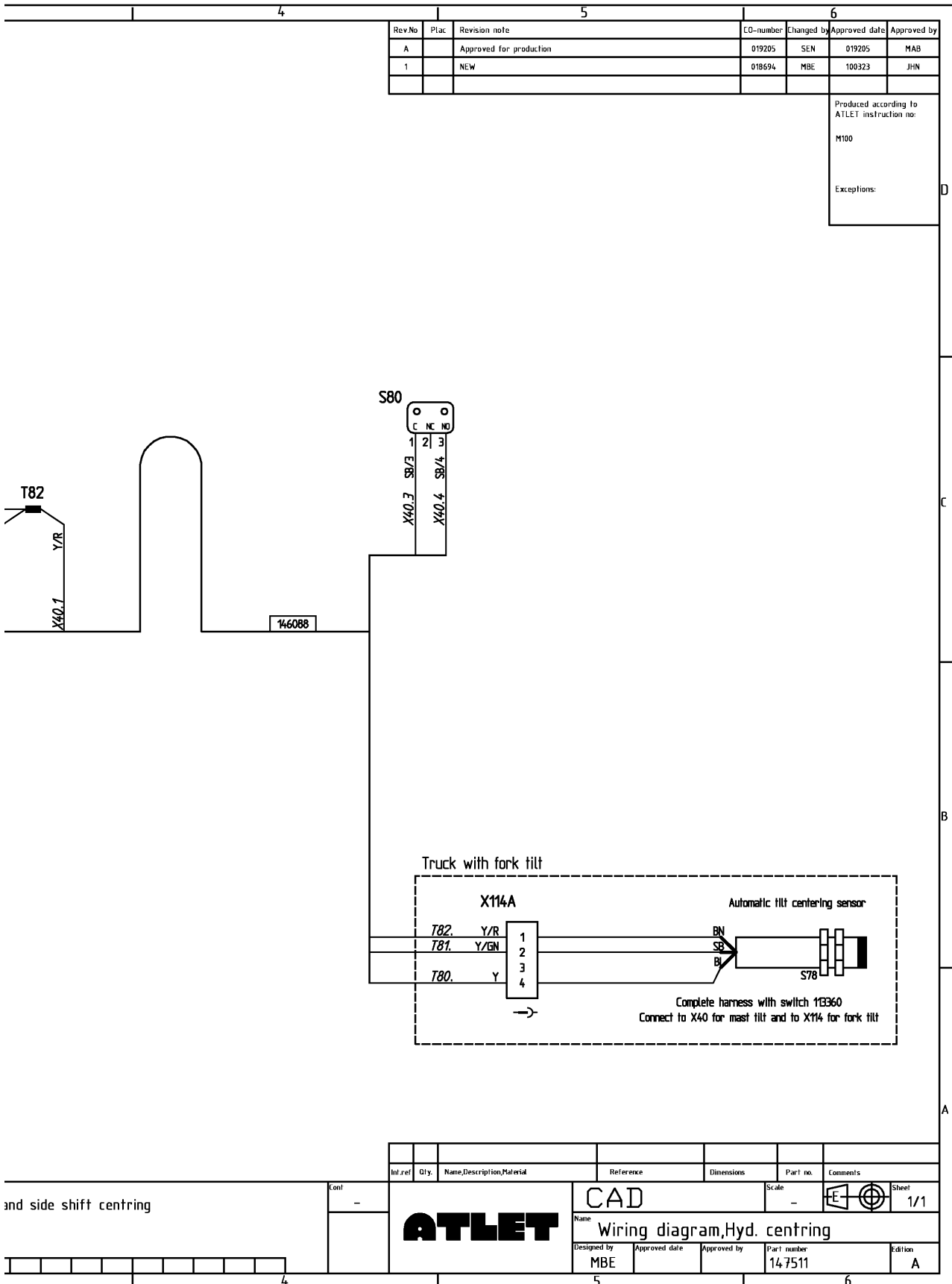


- Please note: If there is no response to CLICKING the link, please download this PDF first and then click on it.

CLICK HERE TO **DOWNLOAD** THE COMPLETE MANUAL



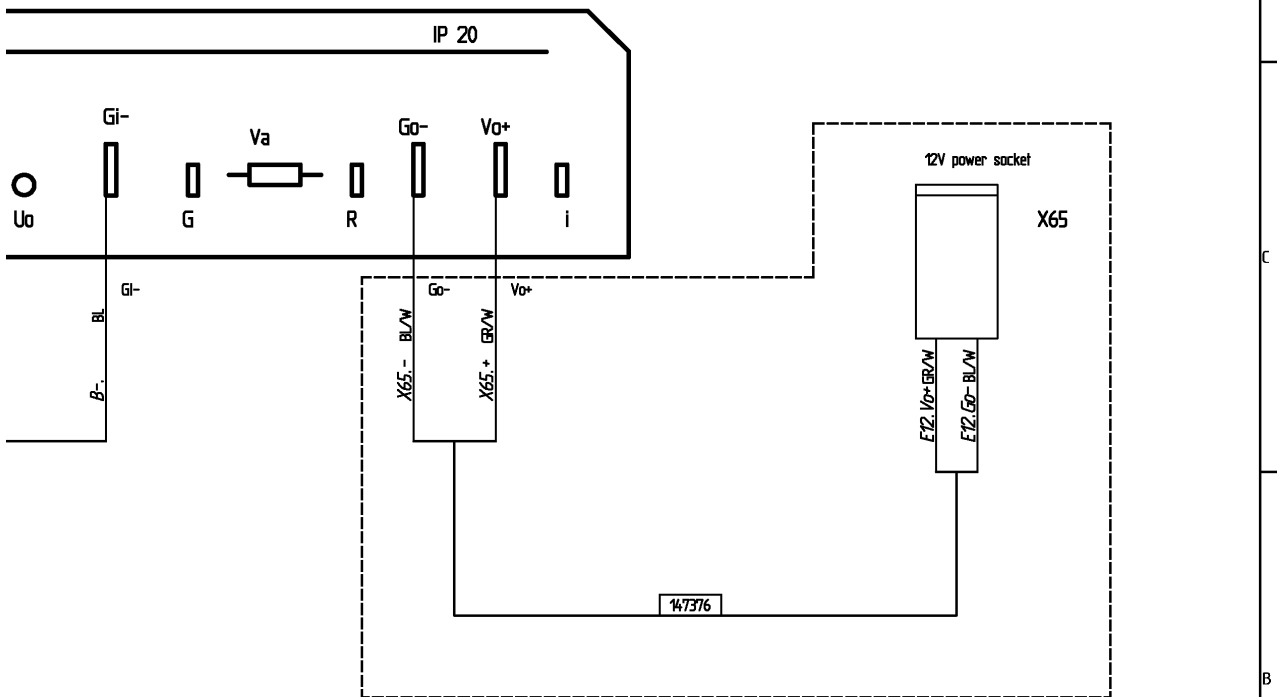




4			5			6		
Rev.No	Plac	Revision note	CO-number	Changed by	Approved date	Approved by		
B		Updates of the 0-series	019205	SEN	110214	MAB		
A		Drawing added	019049	MBE	101012	MME		

Produced according to ATLET instruction no: M100

Exceptions:



socket (optional)	Cont	-	CAD		Scale	-			Sheet 1/1
			Name: Wiring diagram, DC/DC 48/12V						
		Designed by	Approved date	Approved by	Part number	Edition			
		MBE			14 7514	B			

CLICK HERE TO **DOWNLOAD** THE COMPLETE MANUAL

- Thank you very much for reading the preview of the manual.
- You can download the complete manual from: www.heydownloads.com by clicking the link below



- Please note: If there is no response to CLICKING the link, please download this PDF first and then click on it.

CLICK HERE TO **DOWNLOAD** THE COMPLETE MANUAL

**SERVICE MANUAL
ELECTRICAL DIAGRAMS
2011B**

*Machine: U** Tergo*

Manual Nr: 119206

U** Tergo, Options 2011w34-	WIRING DIAGRAM 113391 G	2.2
U** Tergo 2011w34-	WIRING DIAGRAM 147500 B	2.56
U** Tergo 2011w24-	WIRING DIAGRAM 147509 B.....	2.70
U** Tergo 2011w34-	WIRING DIAGRAM 147511 C.....	2.72
U** Tergo 2011w28-	WIRING DIAGRAM 147515 B.....	2.74
U** Tergo 2011w28-	WIRING DIAGRAM 147515 C.....	2.76
U** Tergo 2011w36-	WIRING DIAGRAM 147515 D.....	2.78
U** Tergo 2011w24-	WIRING DIAGRAM 147517 A.....	2.80
U** Tergo 2011w39-	WIRING DIAGRAM 147518 B.....	2.82
U** Tergo 2011w34-	WIRING DIAGRAM 147520 B.....	2.84
U** Tergo 2011w38-	WIRING DIAGRAM 147521 A.....	2.86
U** Tergo 2011w38-	WIRING DIAGRAM 148030 A.....	2.88

	4	5	6
	Rev.No	Plac	Revision note
	G		Update wiring diagram for new video system
	F		Wiring harness for seat switch added page 11,17
	E		ATC3 introduced,new interface. Page 14,19,20 and 26.
		CO-number	Changed by
		019375	SOI
		019209	FT
		019165	NRG
		Approved date	Approved by
		110527	SEN
		110218	MBE
		110125	GWT
			Produced according to ATLET instruction no: M100
			Exceptions:

B2

Optical sensor

Art.Nr:005616 including cable

B3

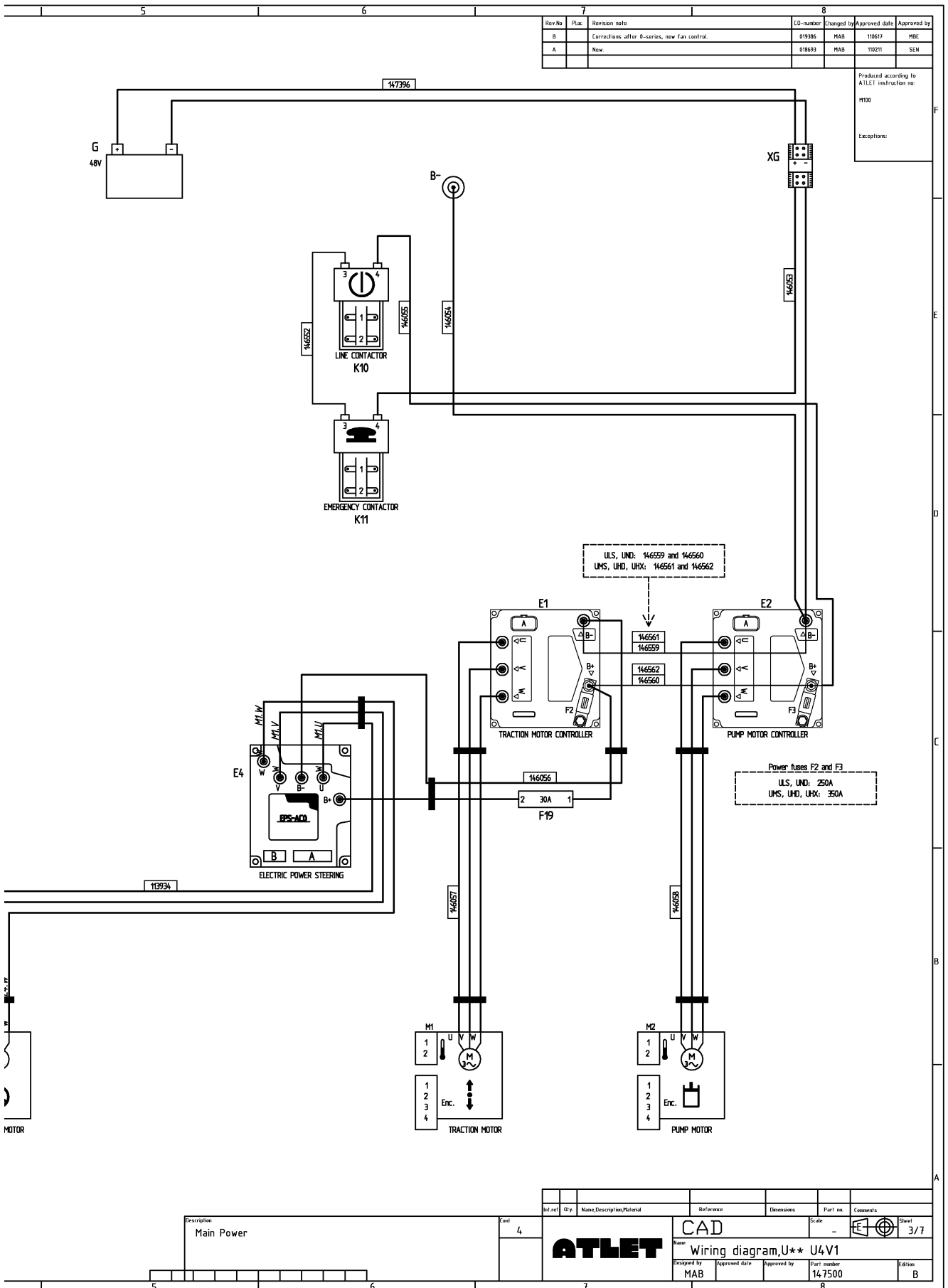
Optical sensor

Option used in combination with Low Rail Steering

Art.Nr:005616 including cable

ted as PNP and Normally Open

Int.ref	Qty	Name,Description,Material	Reference	Dimensions	Part no.	Comments			
	11	ATLET MÖLNLYCKE, SWEDEN	CAD		-		Sheet	10/27	
		Name		Wiring diagram,Options U** MK4					
		Designed by	Approved date	Approved by	Part number	Edition			
		FT			113391	G			



	4	5		6			
	Rev.No	Plac	Revision note	CO-number	Changed by	Approved date	Approved by
	B		PIC heater changed, thermostat removed.	019389	NRG	110614	MBE
	A		Approved for production.	019205	SEN	110215	MAB

Produced according to ATLET instruction no:
M100

Exceptions:

Int.ref	Qty	Name,Description,Material	Reference	Dimensions	Part no.	Comments	
	1	ATLET	CAD		Scale	Sheet 1/1	
) display U4.V1		Name Wiring diagram,Display heater		Designed by SEN		Approved date	Approved by
				Part number 147509		Edition B	

CLICK HERE TO **DOWNLOAD** THE COMPLETE MANUAL

- Thank you very much for reading the preview of the manual.
- You can download the complete manual from: www.heydownloads.com by clicking the link below



- Please note: If there is no response to CLICKING the link, please download this PDF first and then click on it.

CLICK HERE TO **DOWNLOAD** THE COMPLETE MANUAL