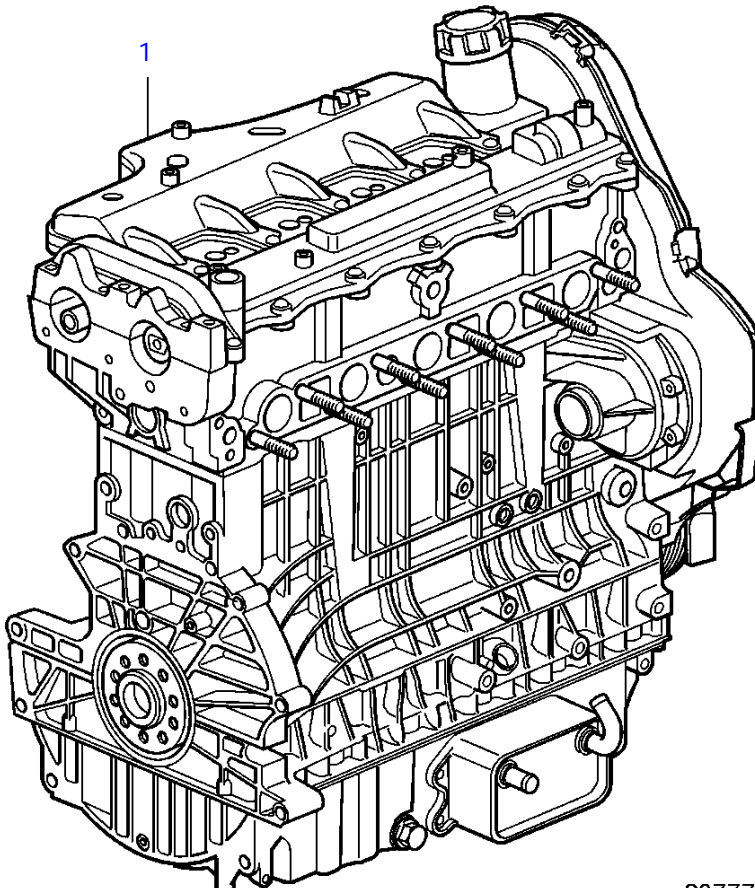
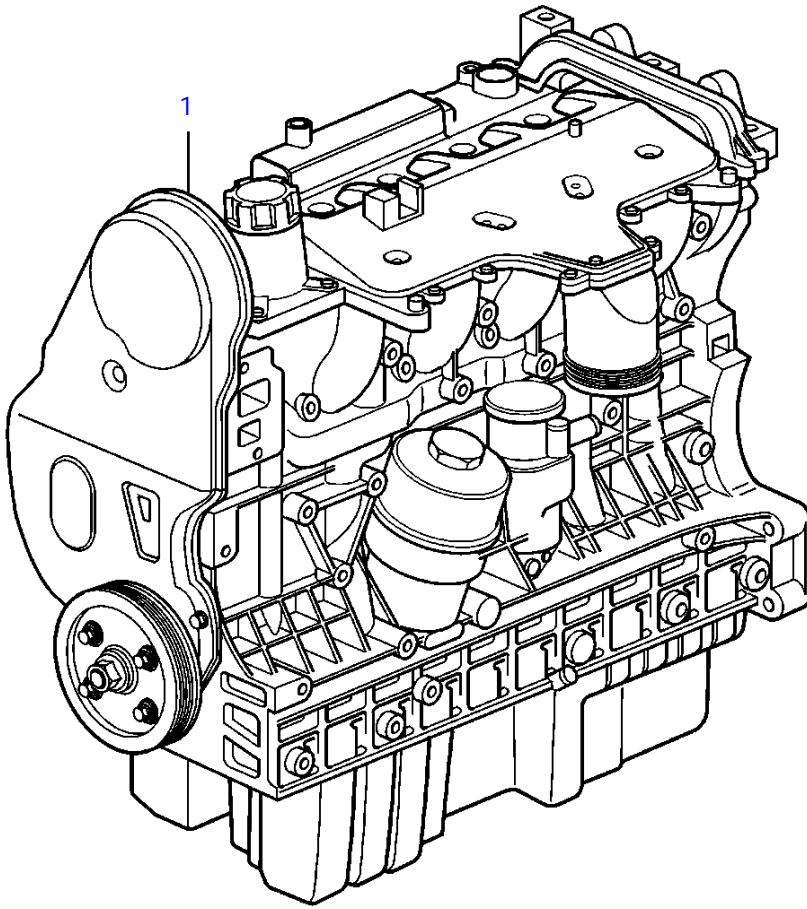


D3-110I-A, D3-130A-A, D3-130I-A, D3-160A-A, D3-160I-A



23777

CLICK HERE TO **DOWNLOAD** THE COMPLETE MANUAL

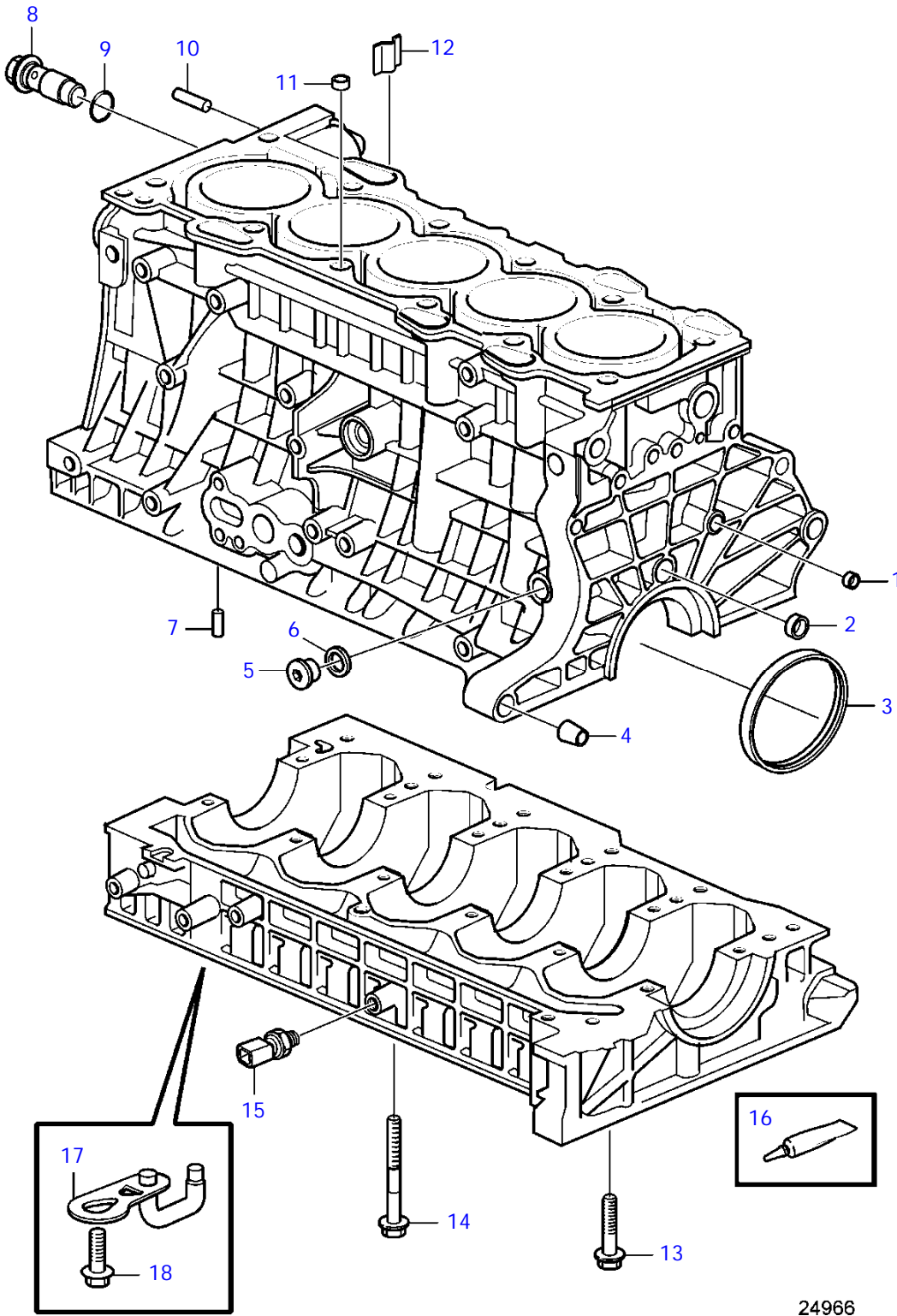
- Thank you very much for reading the preview of the manual.
- You can download the complete manual from: www.heydownloads.com by clicking the link below



- Please note: If there is no response to CLICKING the link, please download this PDF first and then click on it.

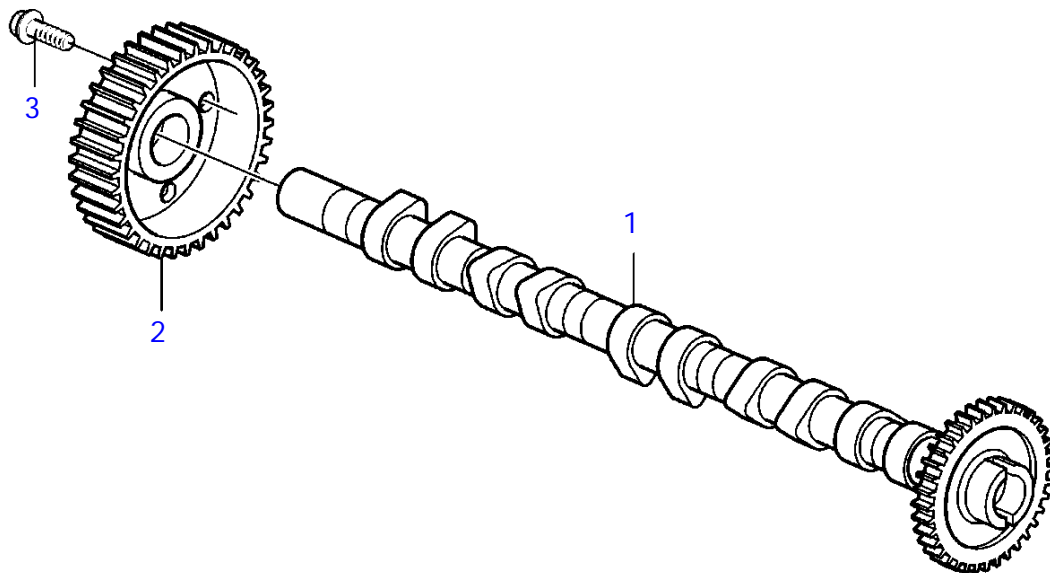
CLICK HERE TO **DOWNLOAD** THE COMPLETE MANUAL

D3-110I-B, D3-110I-C, D3-130A-B, D3-130I-B, D3-130I-C, D3-160A-B, D3-160I-B, D3-160I-C, D3-190A-B, D3-190I-B, D3-190A-C, D3-190I-C



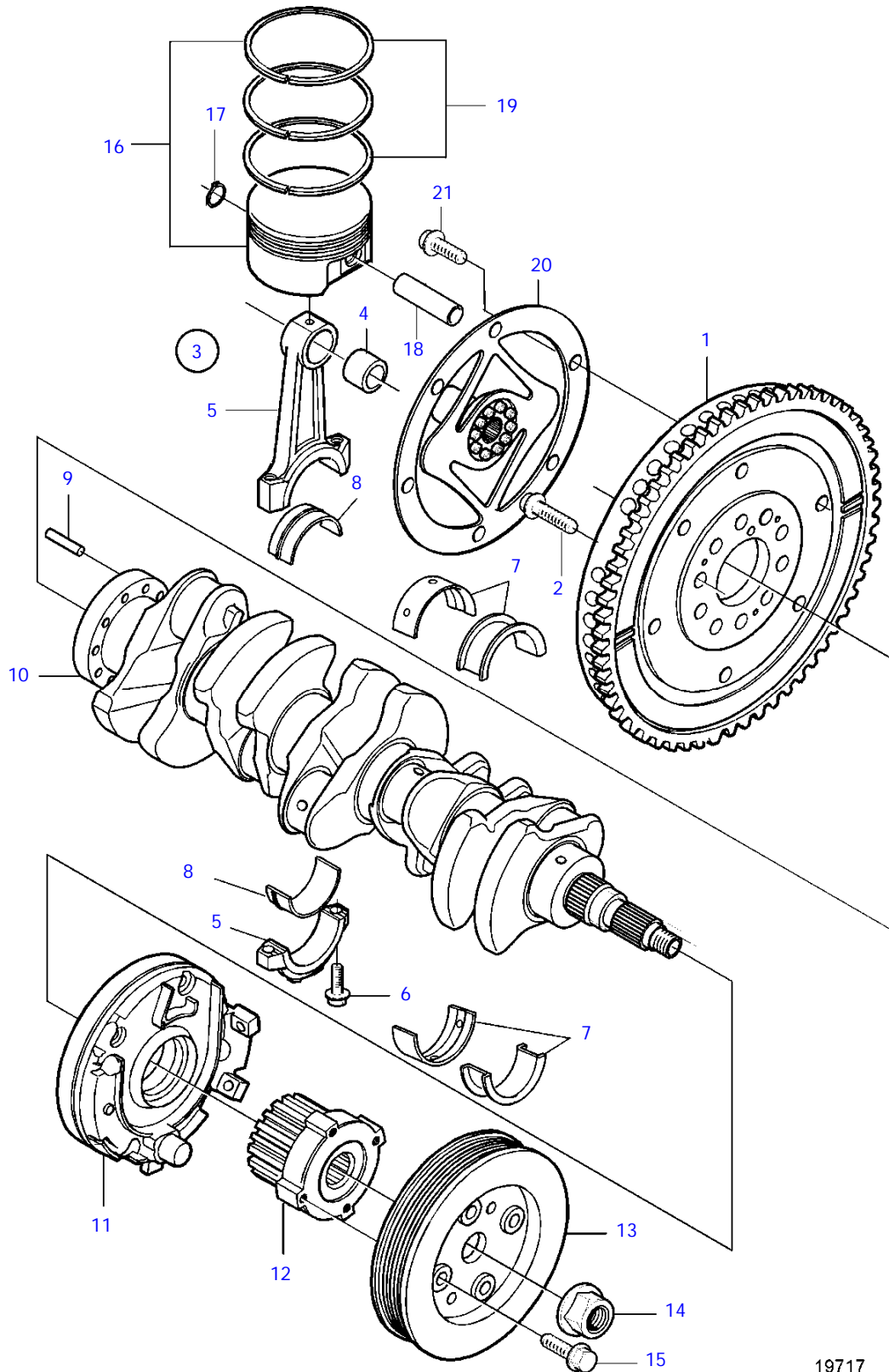
24966

D3-110I-B, D3-110I-C, D3-130A-B, D3-130I-B, D3-130A-C, D3-130I-C, D3-160A-B, D3-160I-B, D3-160A-C, D3-160I-C,
D3-190A-B, D3-190I-B, D3-190A-C, D3-190I-C



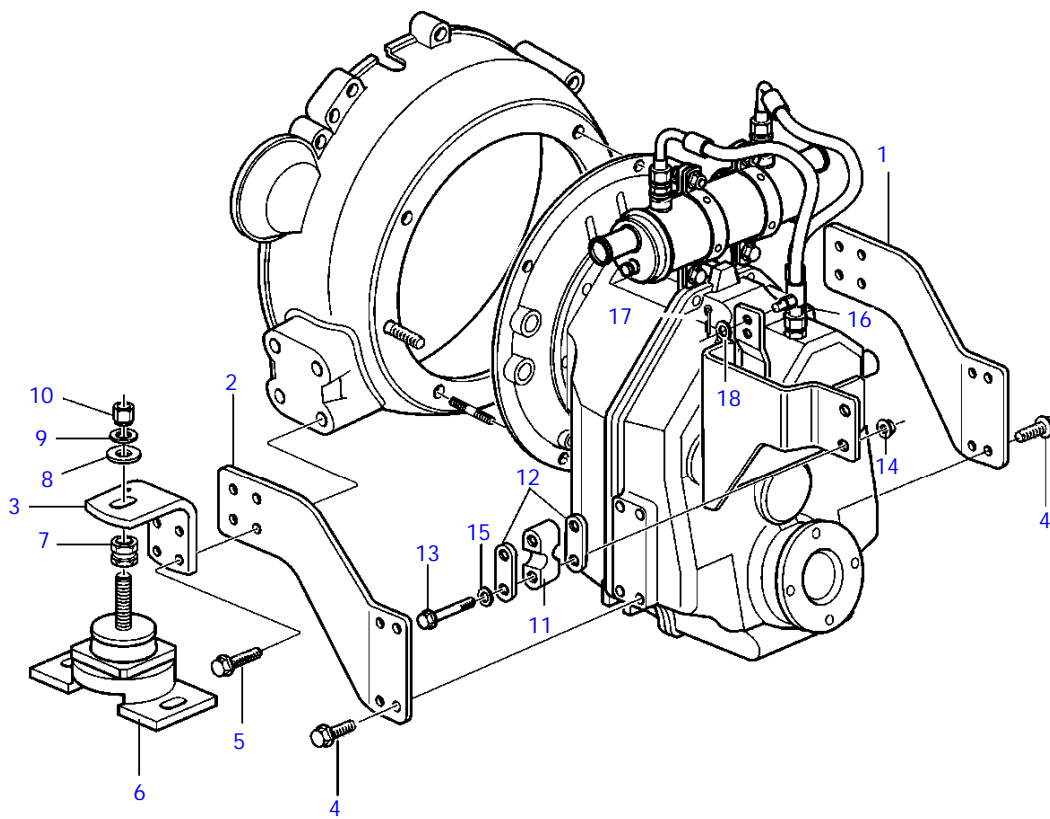
24848

D3-130I-A, D3-160I-A



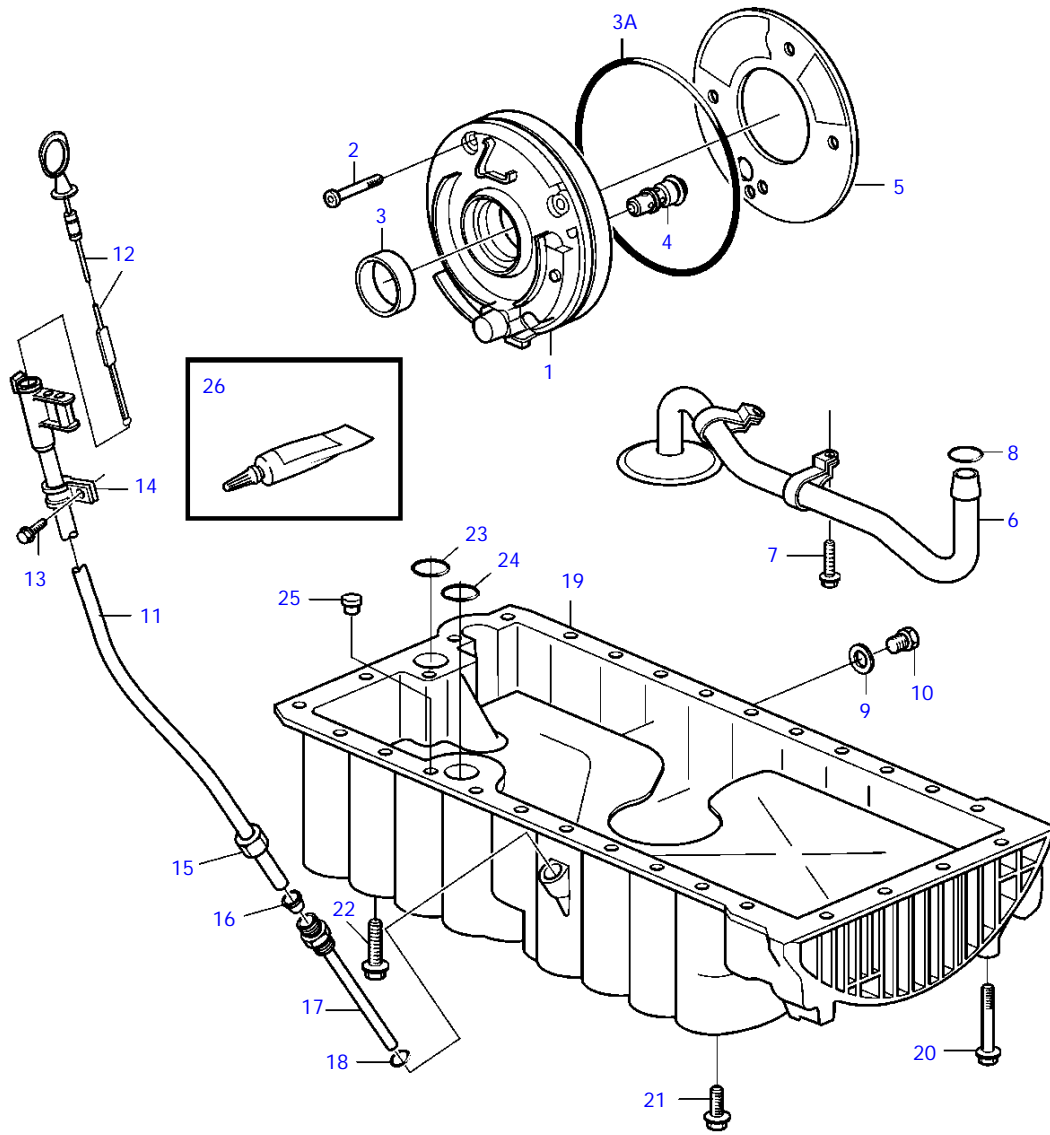
19717

D3-110I-A, D3-110I-B, D3-110I-C, D3-130I-A, D3-130I-B, D3-130I-C, D3-160I-A, D3-160I-B, D3-160I-C, D3-190I-B, D3-190I-C



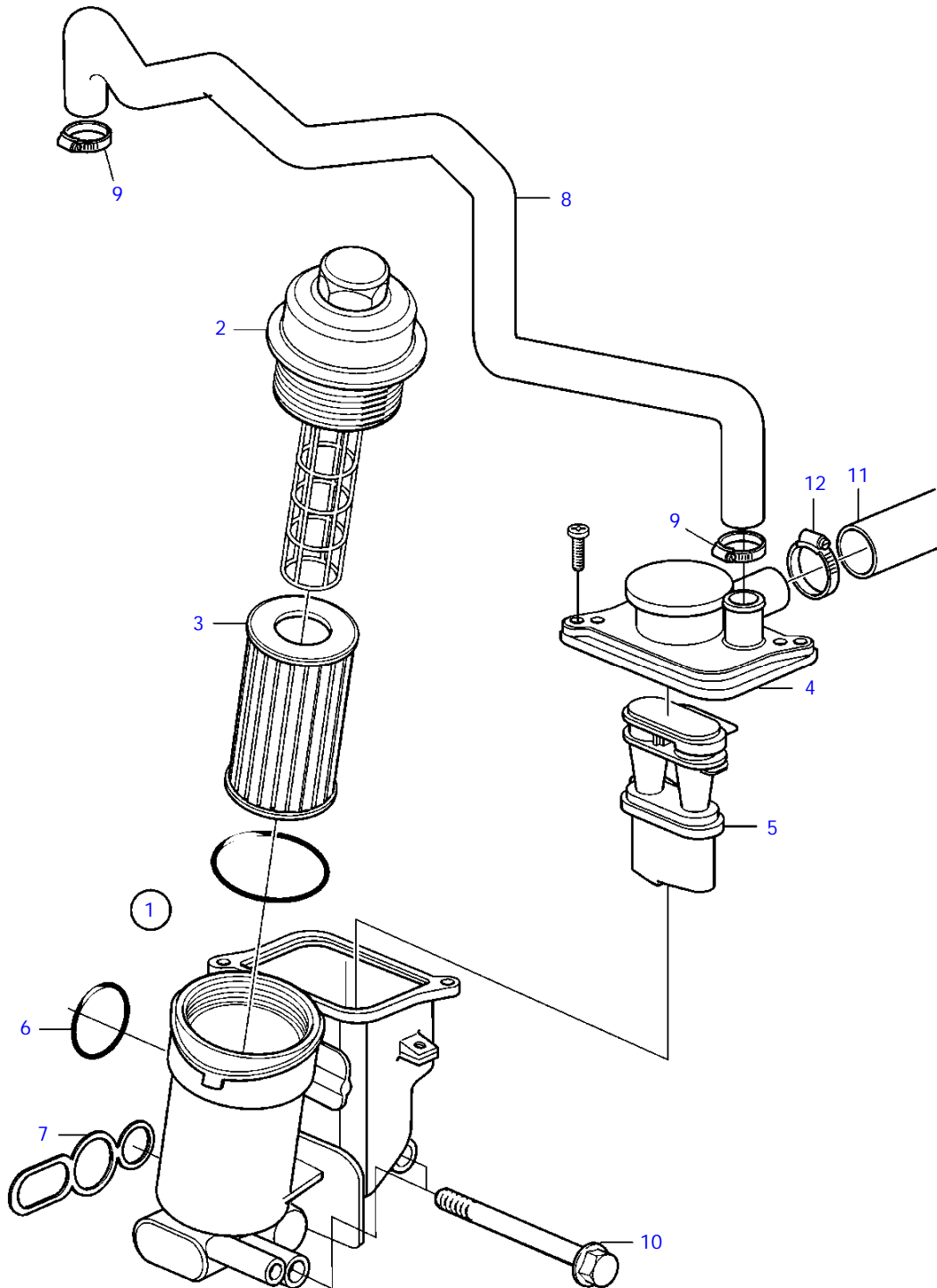
22705

D3-110I-A, D3-130A-A, D3-130I-A, D3-160A-A, D3-160I-A



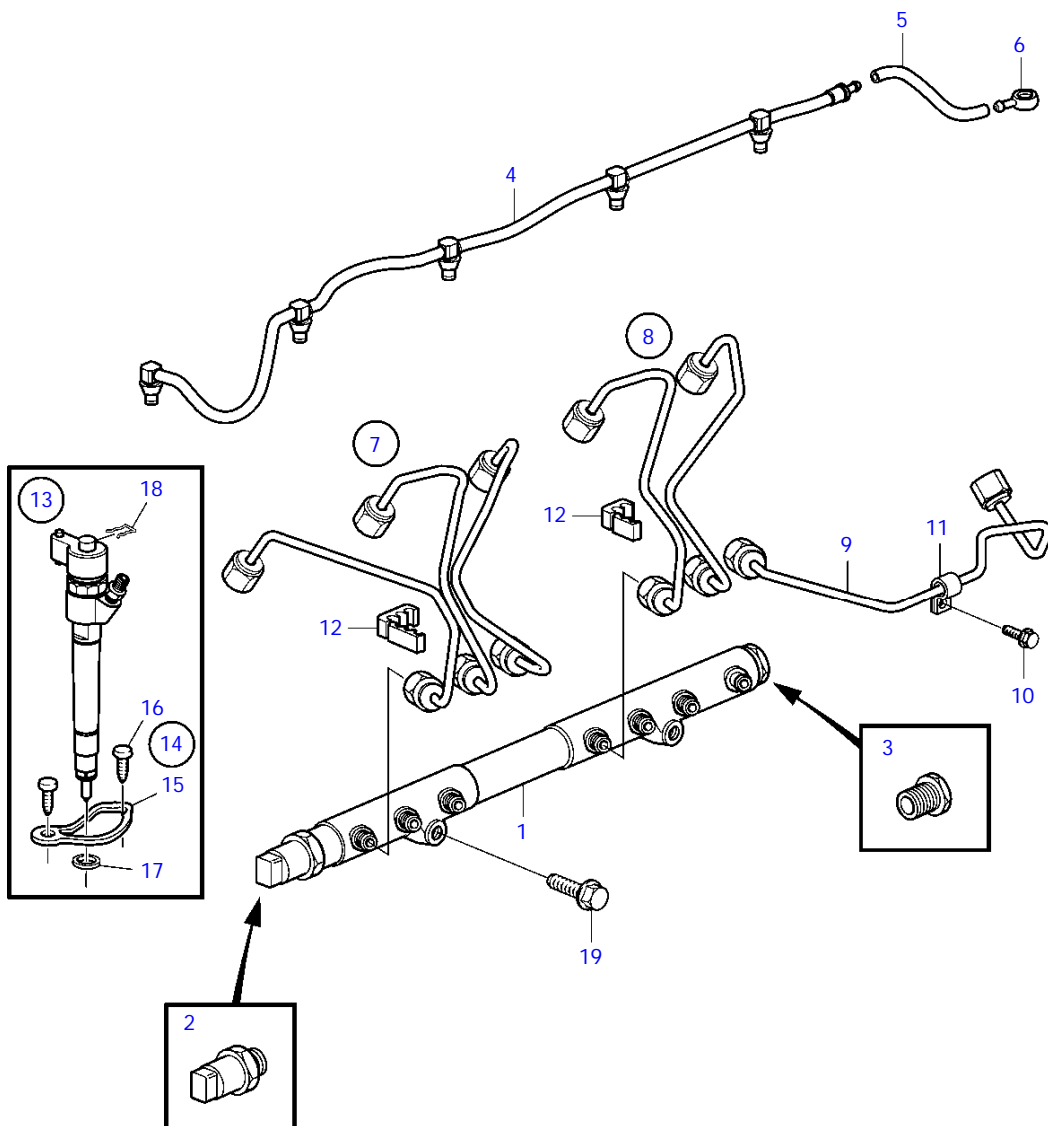
22761

D3-110I-B, D3-110I-C, D3-130A-B, D3-130I-B, D3-130A-C, D3-130I-C, D3-160A-B, D3-160I-B, D3-160A-C, D3-160I-C,
D3-190A-B, D3-190I-B, D3-190A-C, D3-190I-C



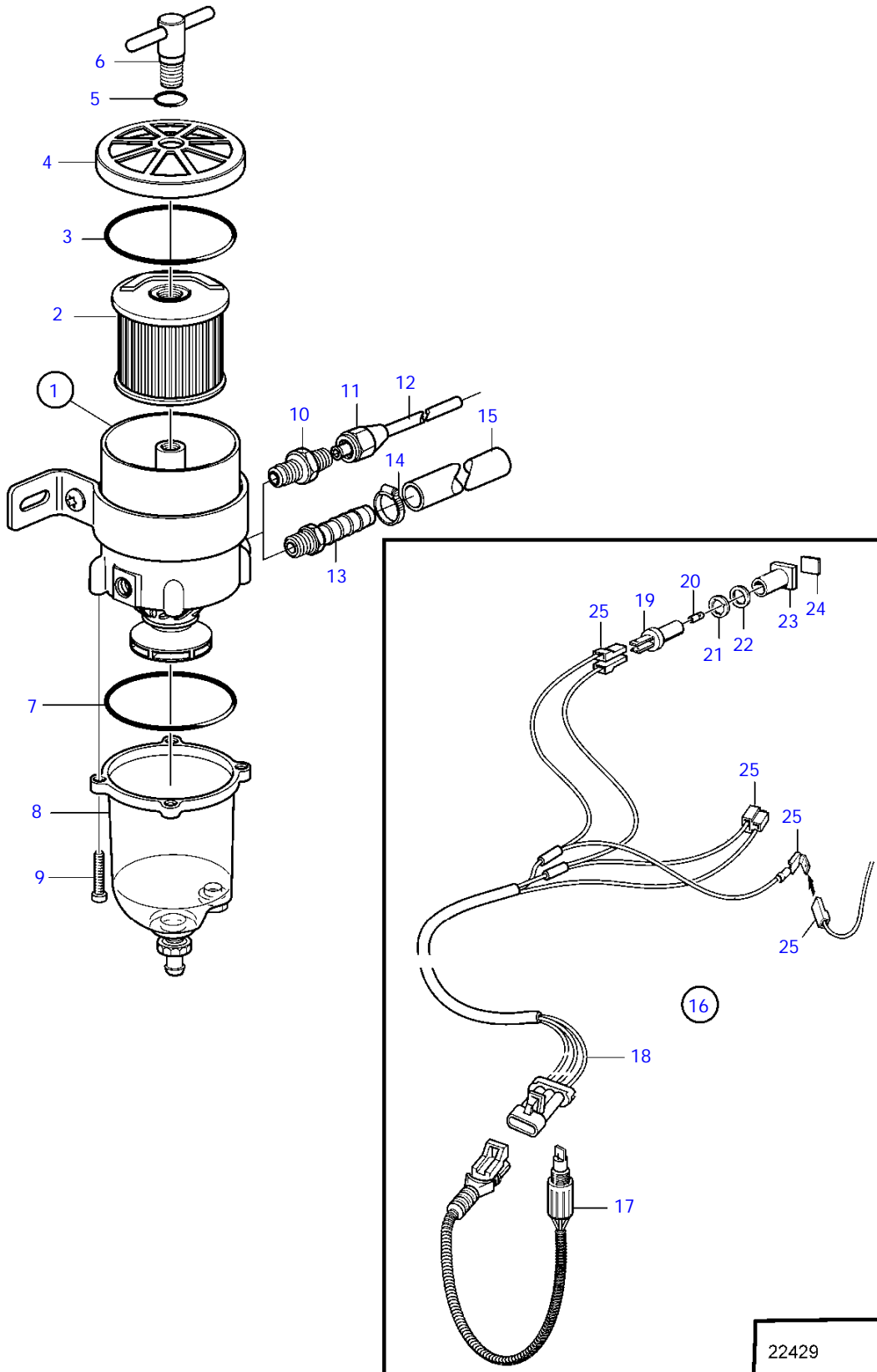
19720

D3-110I-B, D3-110I-C, D3-130A-B, D3-130I-B, D3-130A-C, D3-130I-C, D3-160A-B, D3-160I-B, D3-160A-C, D3-160I-C, D3-190A-B, D3-190I-B, D3-190A-C, D3-190I-C

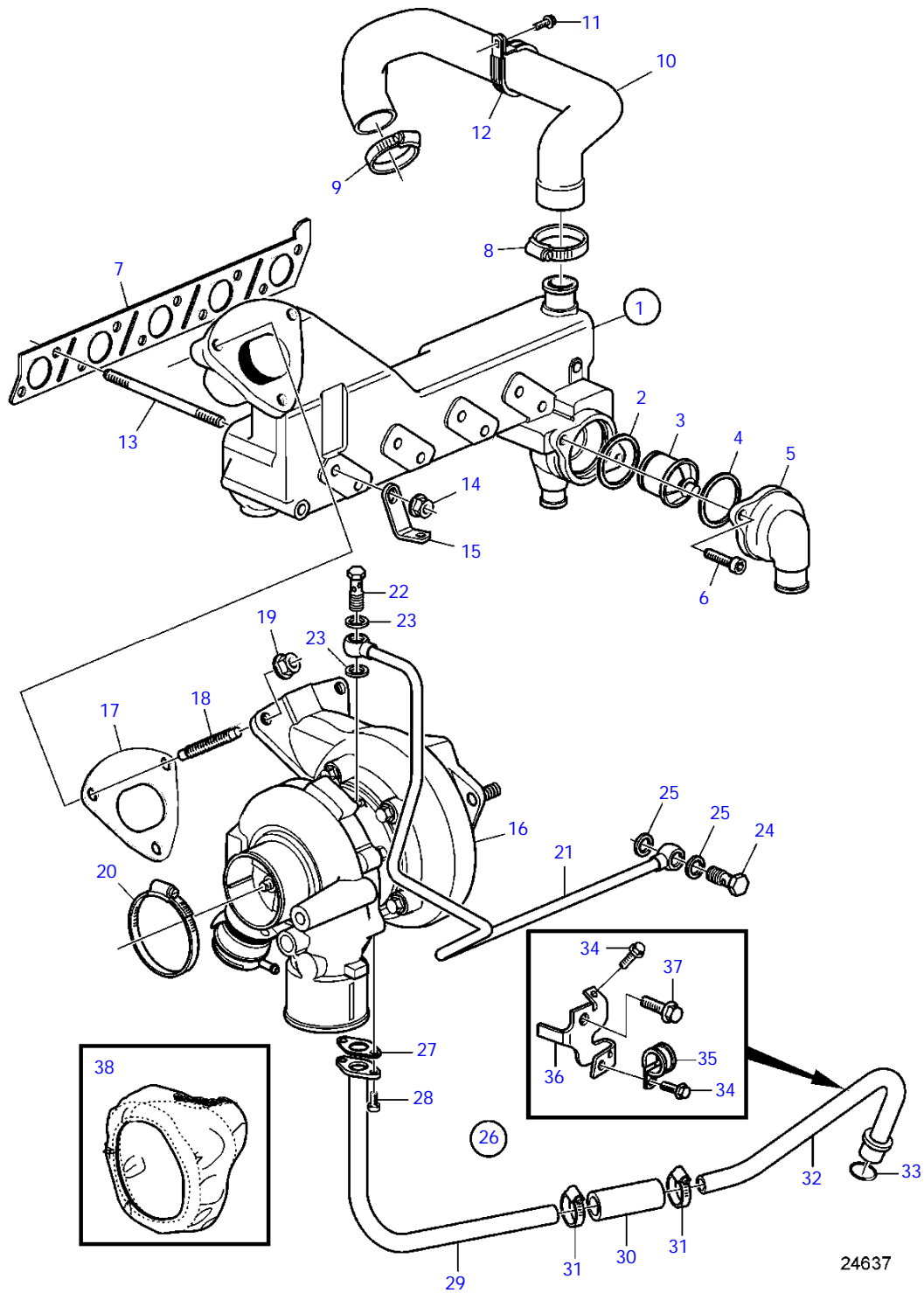


22722

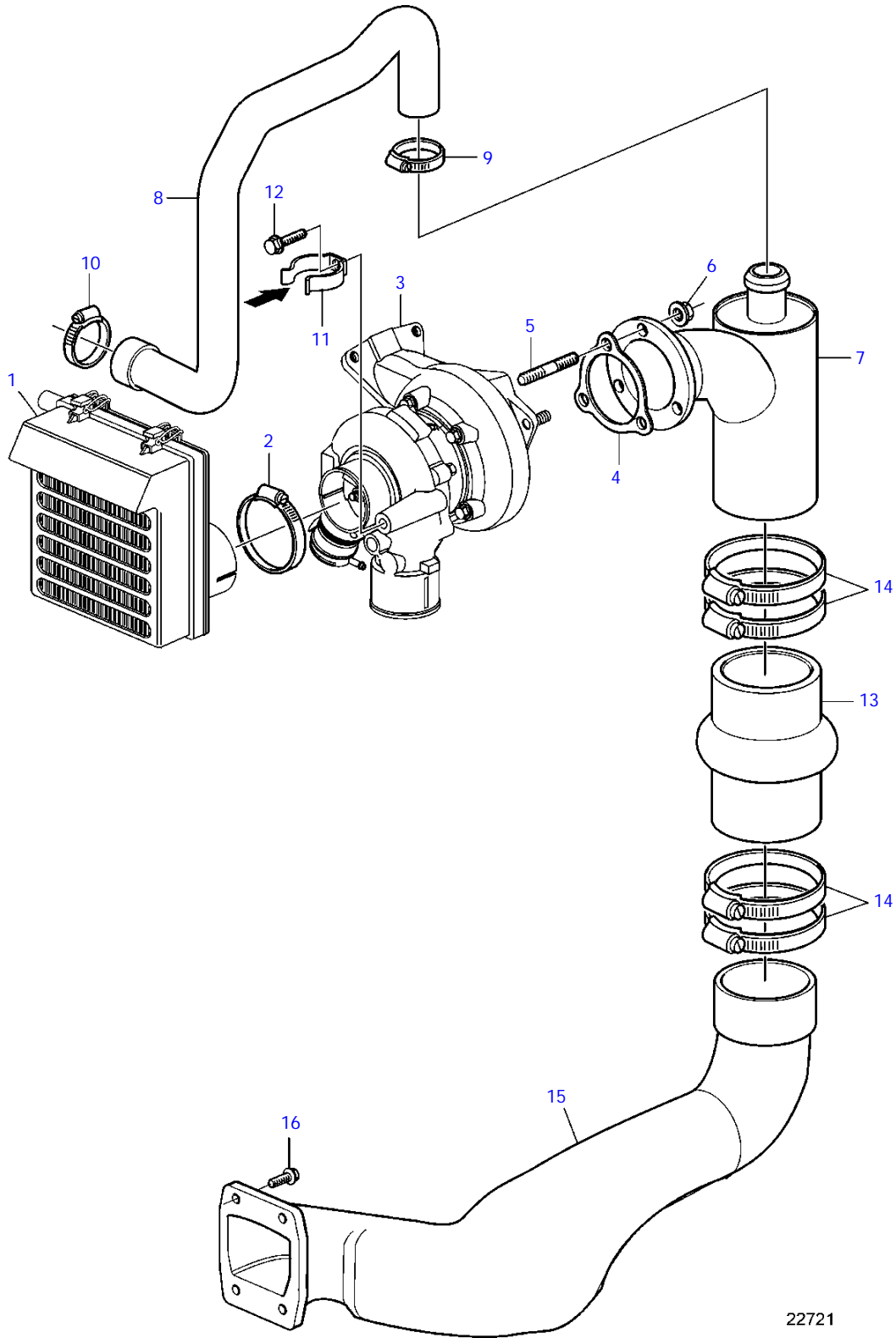
D3-110I-A, D3-110I-B, D3-110I-C, D3-130A-A, D3-130I-A, D3-130A-B, D3-130I-B, D3-130A-C, D3-130I-C, D3-160A-A, D3-160I-A, D3-160A-B, D3-160I-B, D3-160A-C, D3-160I-C, D3-190A-B, D3-190I-B, D3-190A-C, D3-190I-C



D3-110I-B, D3-110I-C, D3-130A-B, D3-130I-B, D3-130A-C, D3-130I-C, D3-160A-B, D3-160I-B, D3-160A-C, D3-160I-C, D3-190A-B, D3-190I-B, D3-190A-C, D3-190I-C

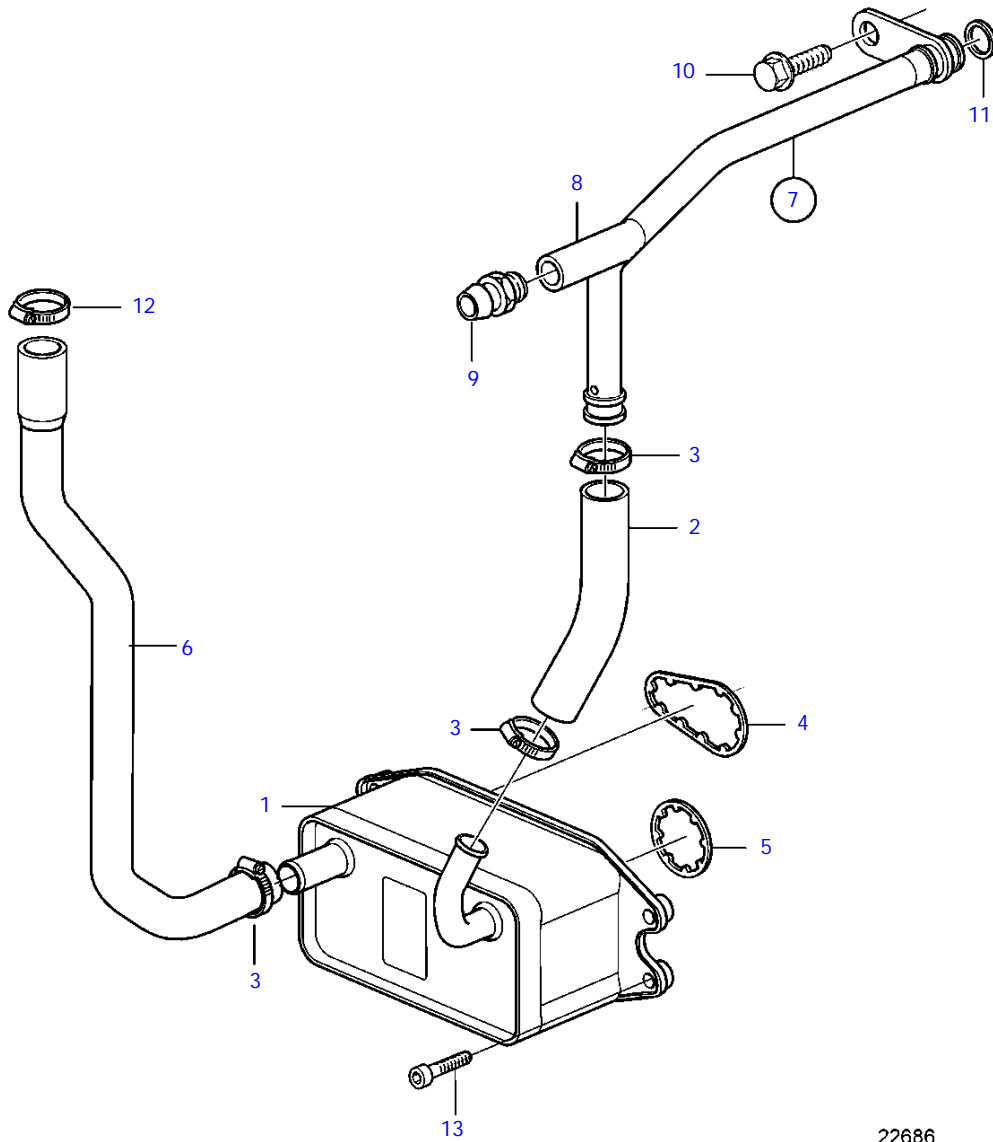
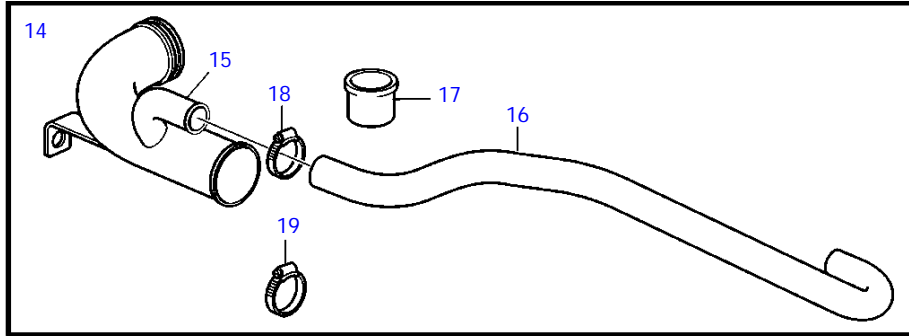


D3-190A-C



22721

D3-110I-A, D3-130A-A, D3-130I-A, D3-160A-A, D3-160I-A



22686

CLICK HERE TO **DOWNLOAD** THE COMPLETE MANUAL

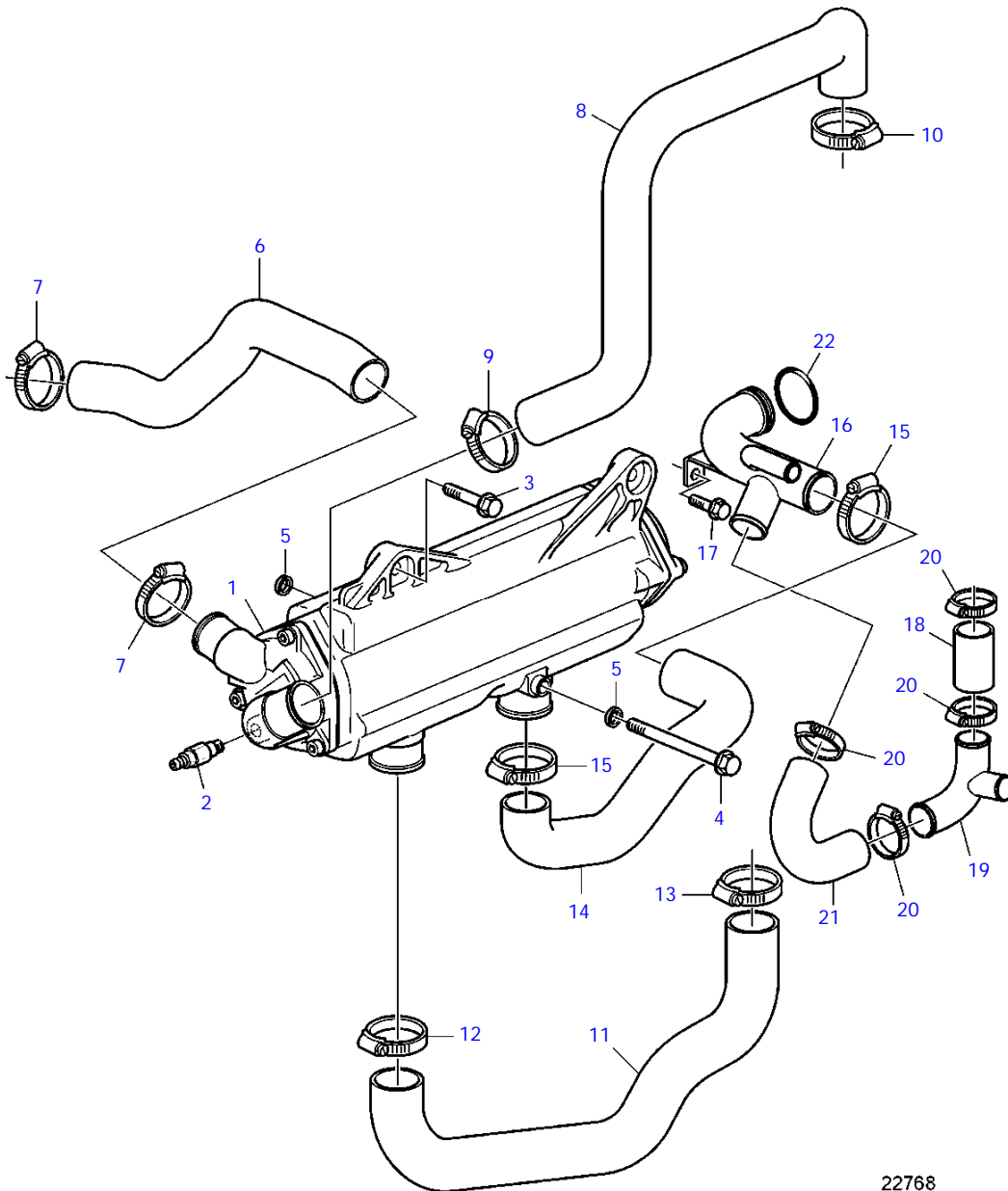
- Thank you very much for reading the preview of the manual.
- You can download the complete manual from: www.heydownloads.com by clicking the link below



- Please note: If there is no response to CLICKING the link, please download this PDF first and then click on it.

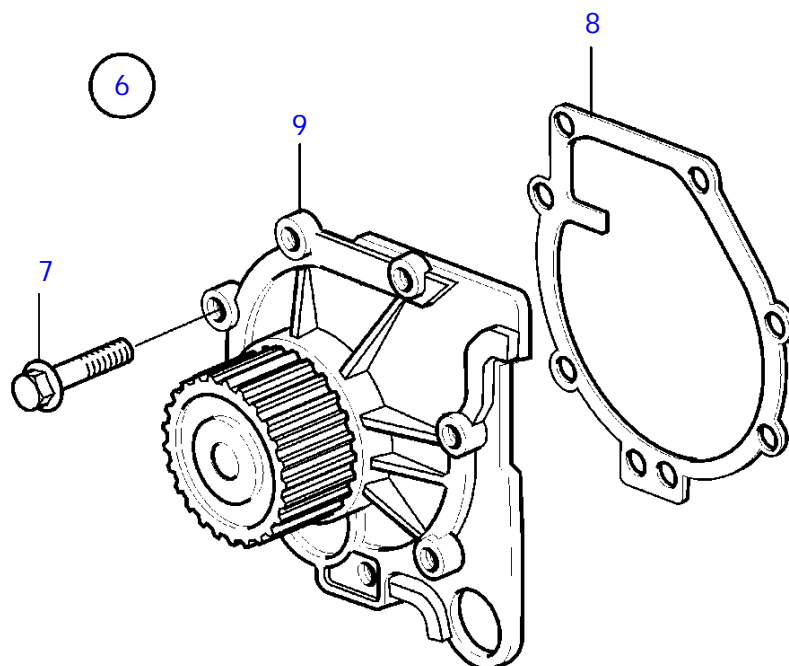
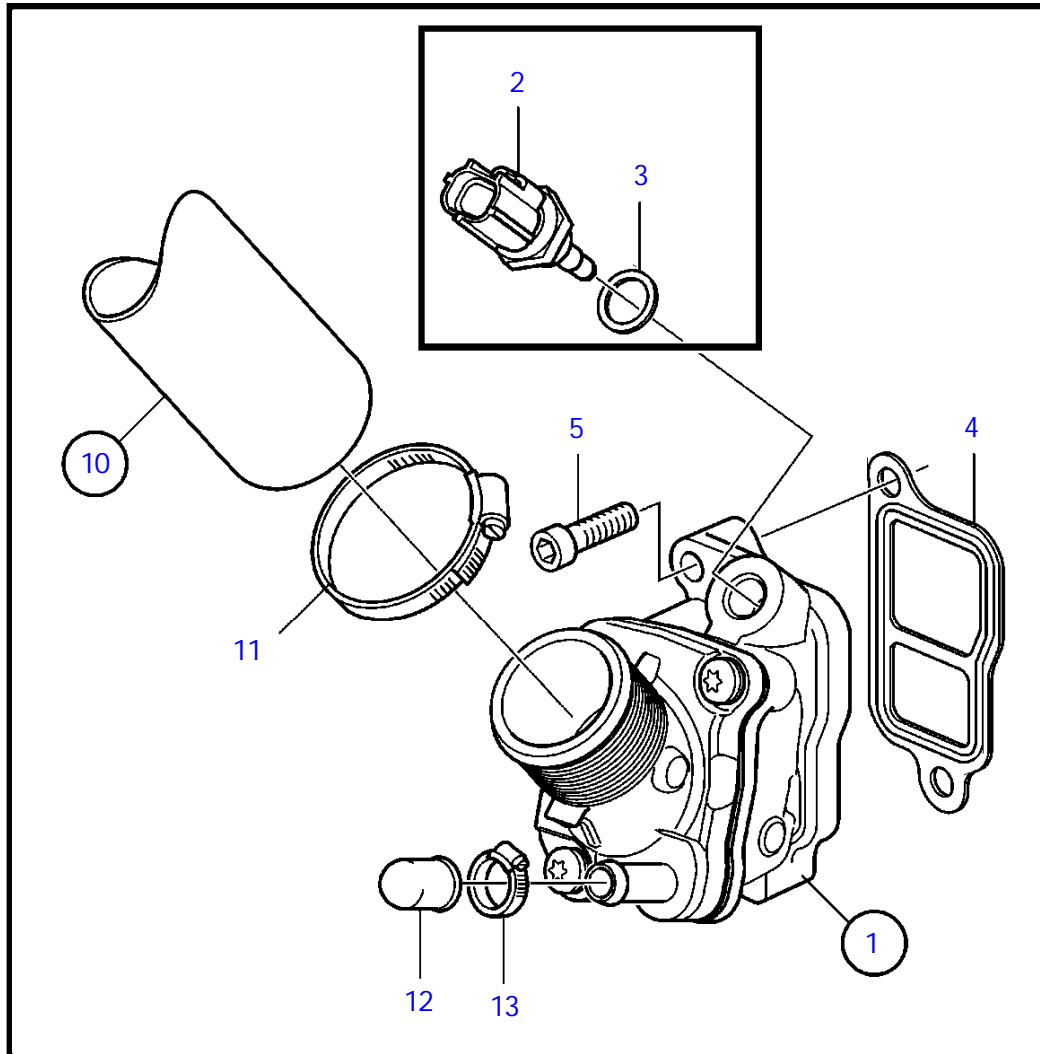
CLICK HERE TO **DOWNLOAD** THE COMPLETE MANUAL

D3-190A-B, D3-190I-B, D3-190A-C, D3-190I-C



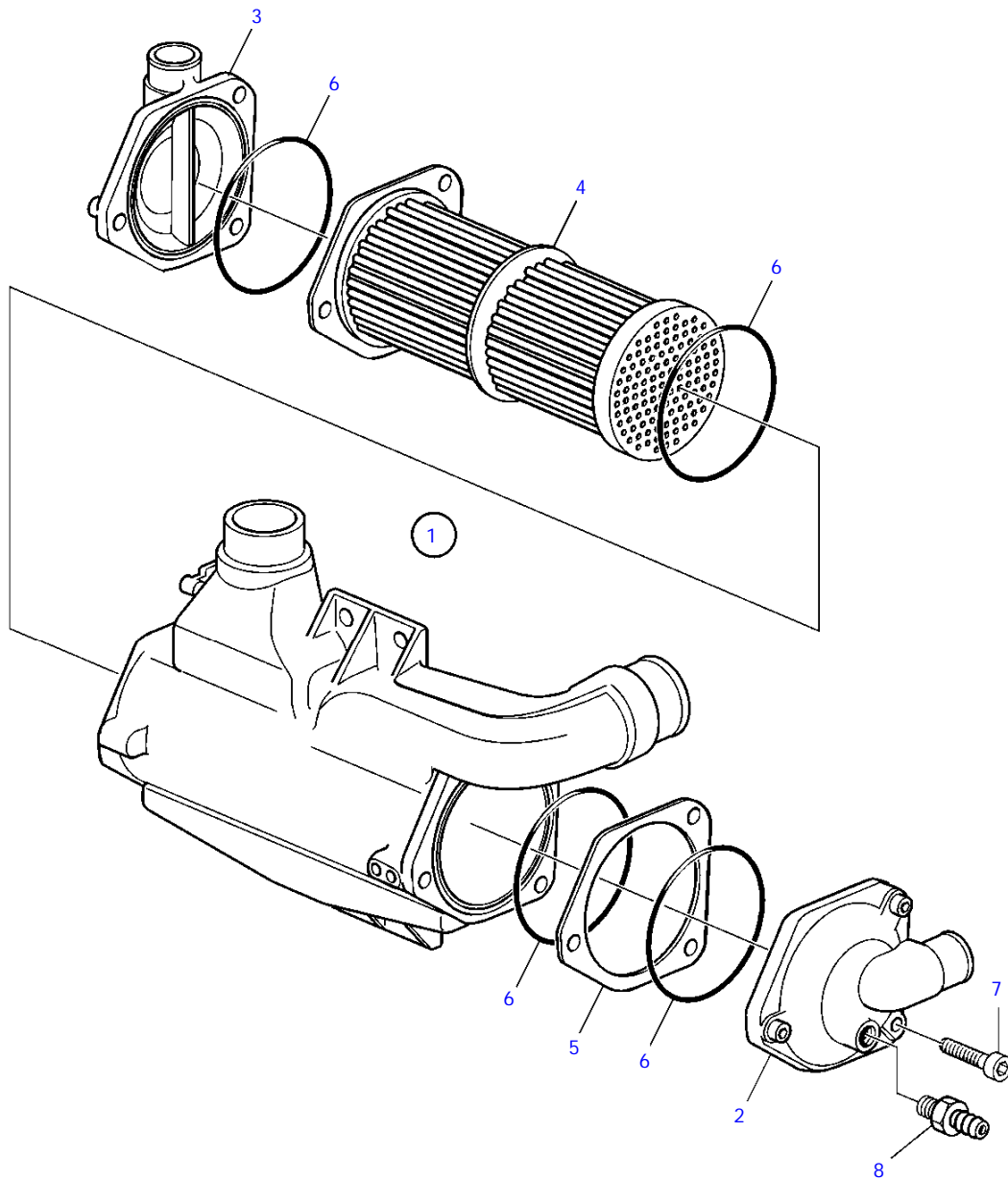
22768

D3-110I-B, D3-110I-C, D3-130A-B, D3-130I-B, D3-130A-C, D3-130I-C, D3-160A-B, D3-160I-B, D3-160A-C, D3-160I-C, D3-190A-B, D3-190I-B, D3-190A-C, D3-190I-C



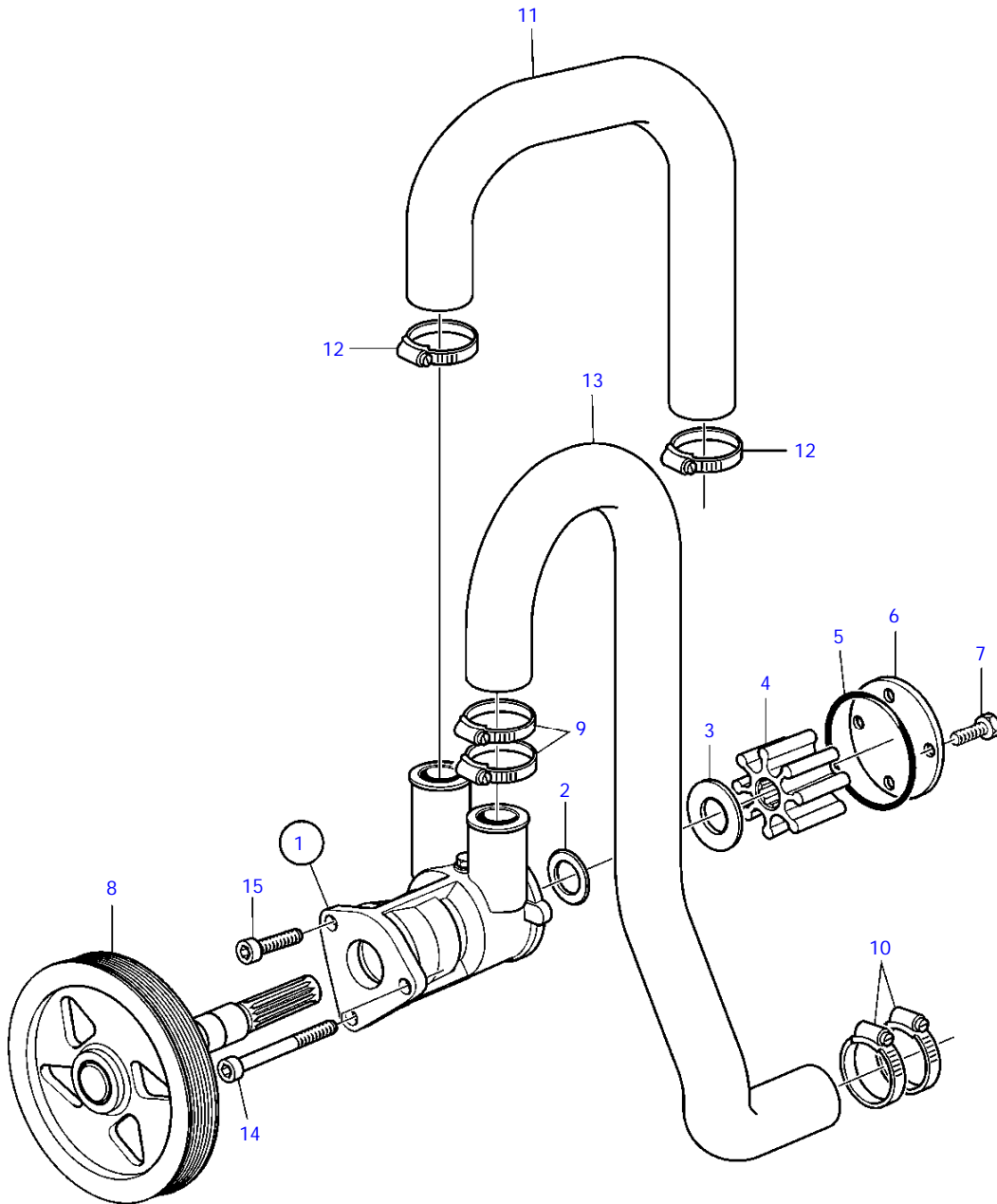
24313

D3-110I-B, D3-110I-C, D3-130A-B, D3-130I-B, D3-130A-C, D3-130I-C, D3-160A-B, D3-160I-B, D3-160A-C, D3-160I-C



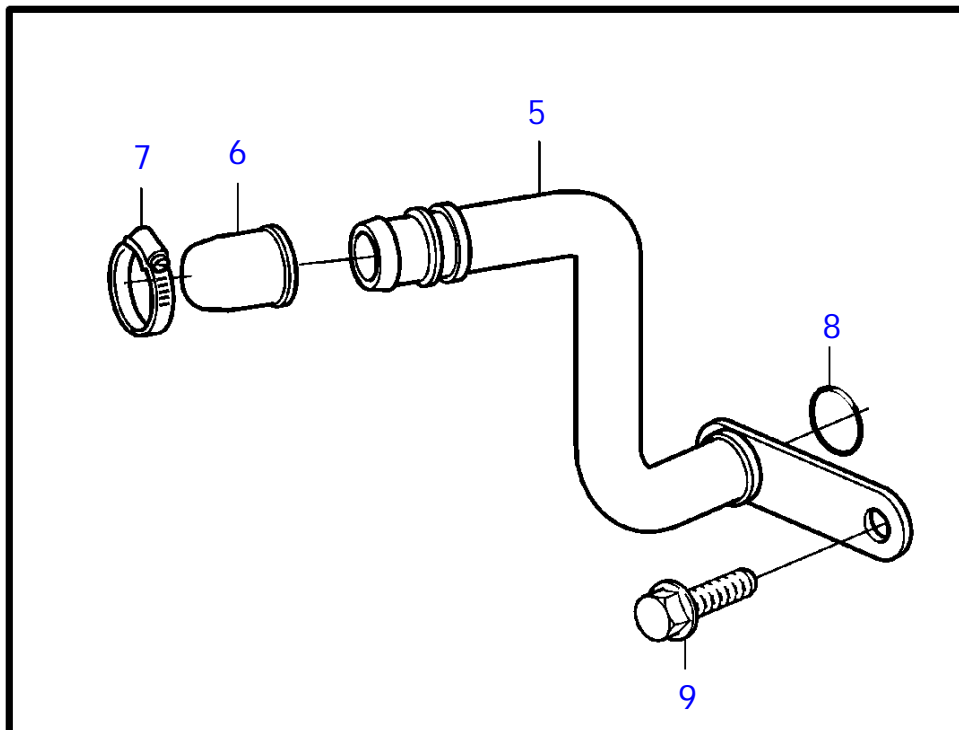
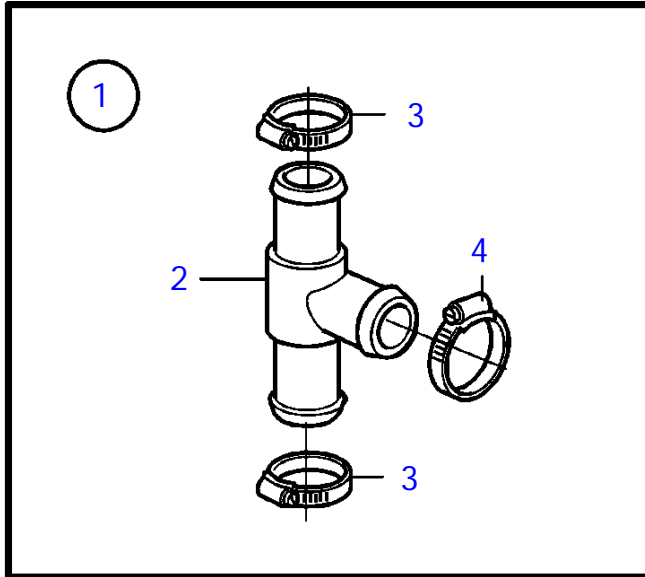
22727

D3-110I-C, D3-130I-C, D3-160I-B, D3-160I-C, D3-190I-B, D3-190I-C



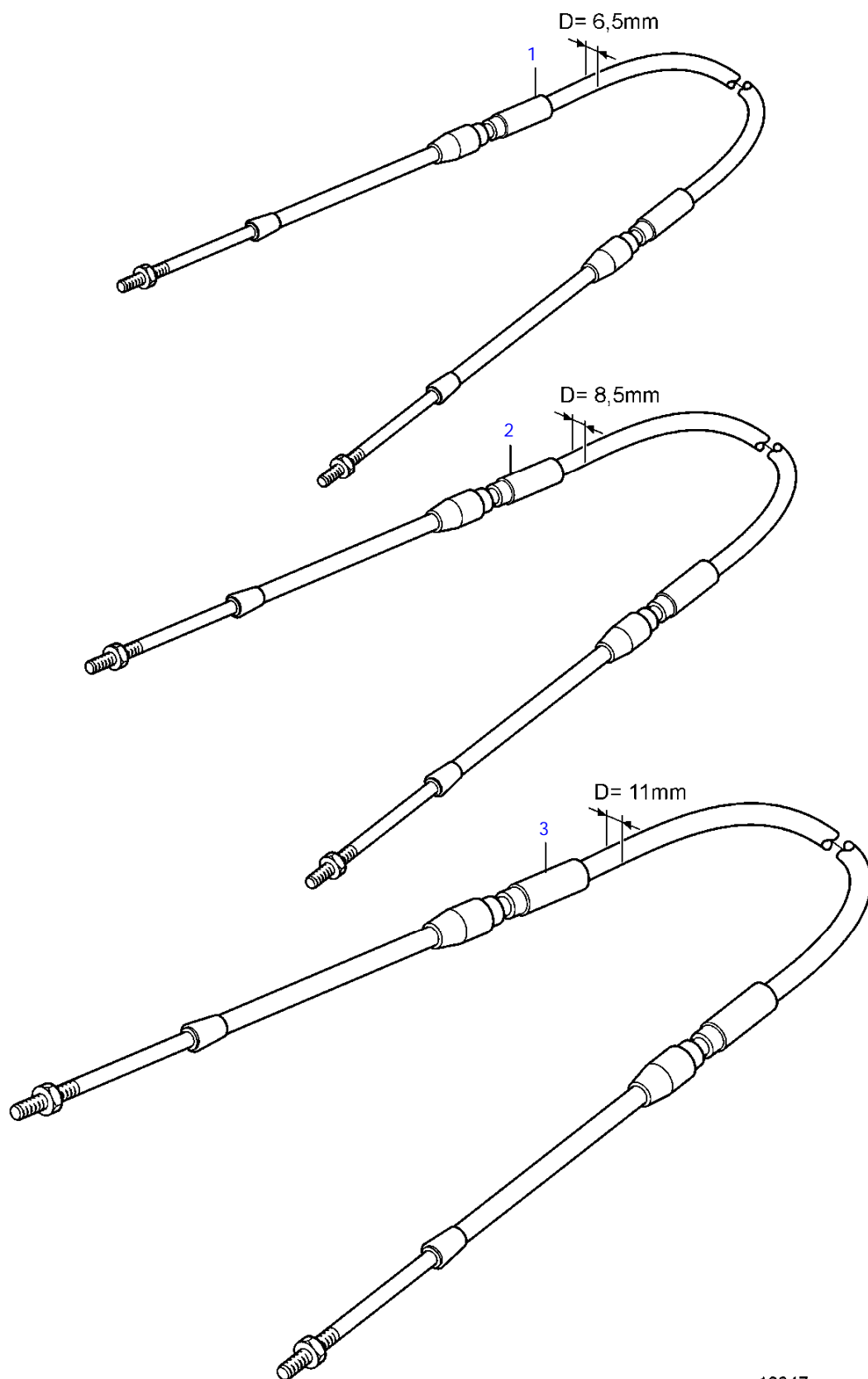
22777

D3-110I-A, D3-130A-A, D3-130I-A, D3-160A-A, D3-160I-A



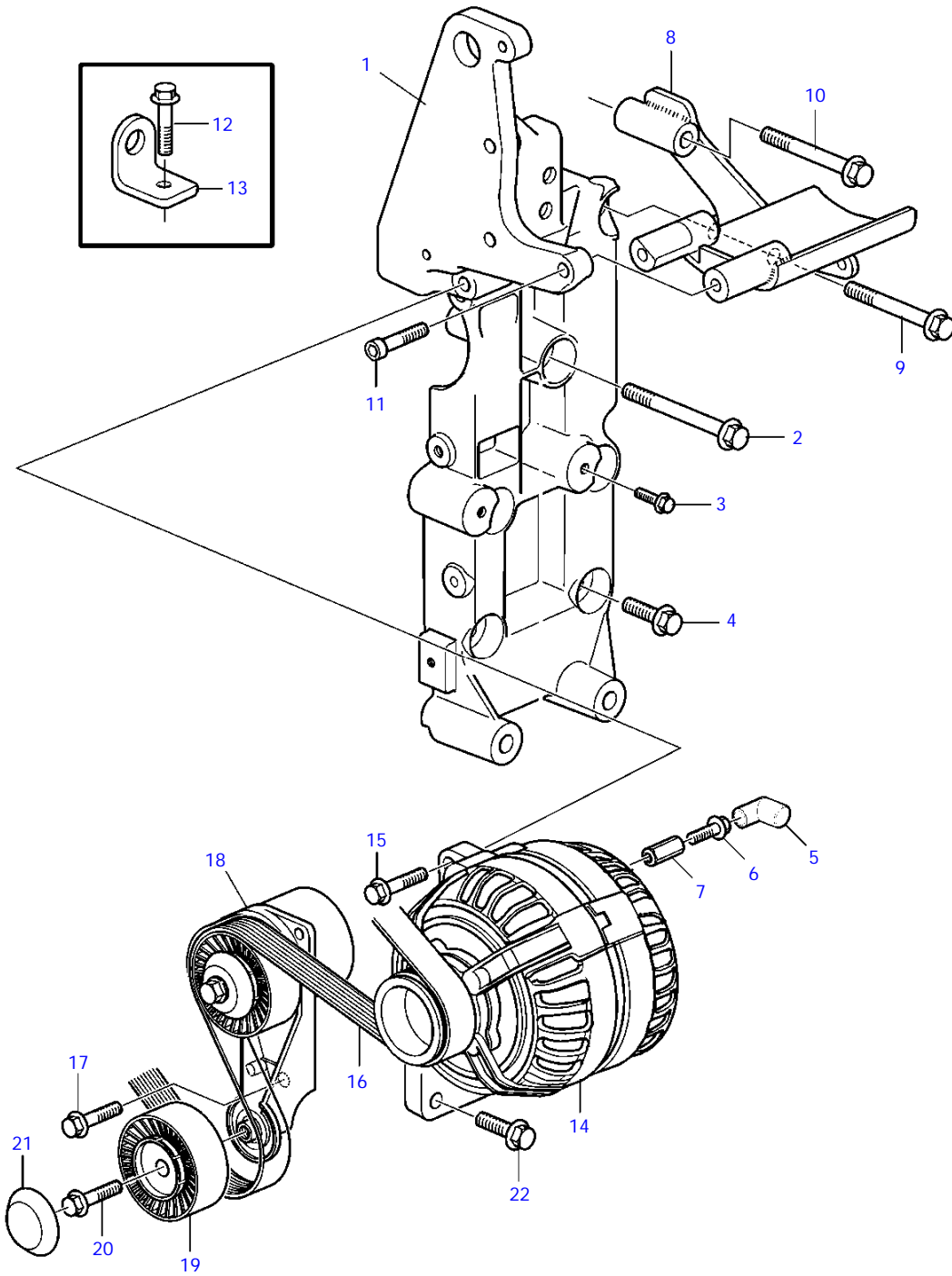
20026

D3-110I-A, D3-110I-B, D3-110I-C, D3-130A-A, D3-130I-A, D3-130A-B, D3-130I-B, D3-130A-C, D3-130I-C, D3-160A-A,
D3-160I-A, D3-160A-B, D3-160I-B, D3-160A-C, D3-160I-C, D3-190A-B, D3-190I-B, D3-190A-C, D3-190I-C



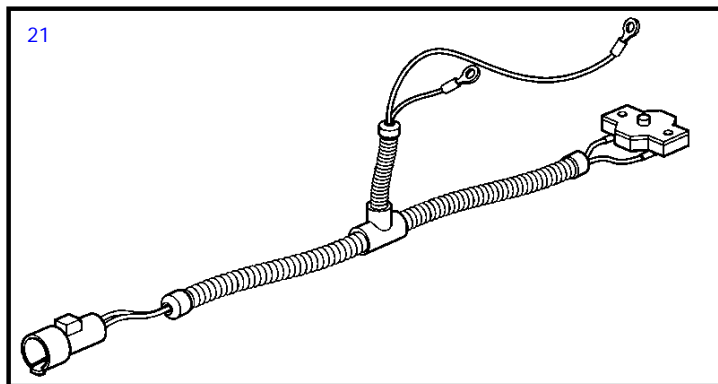
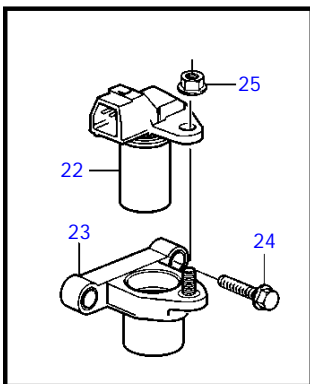
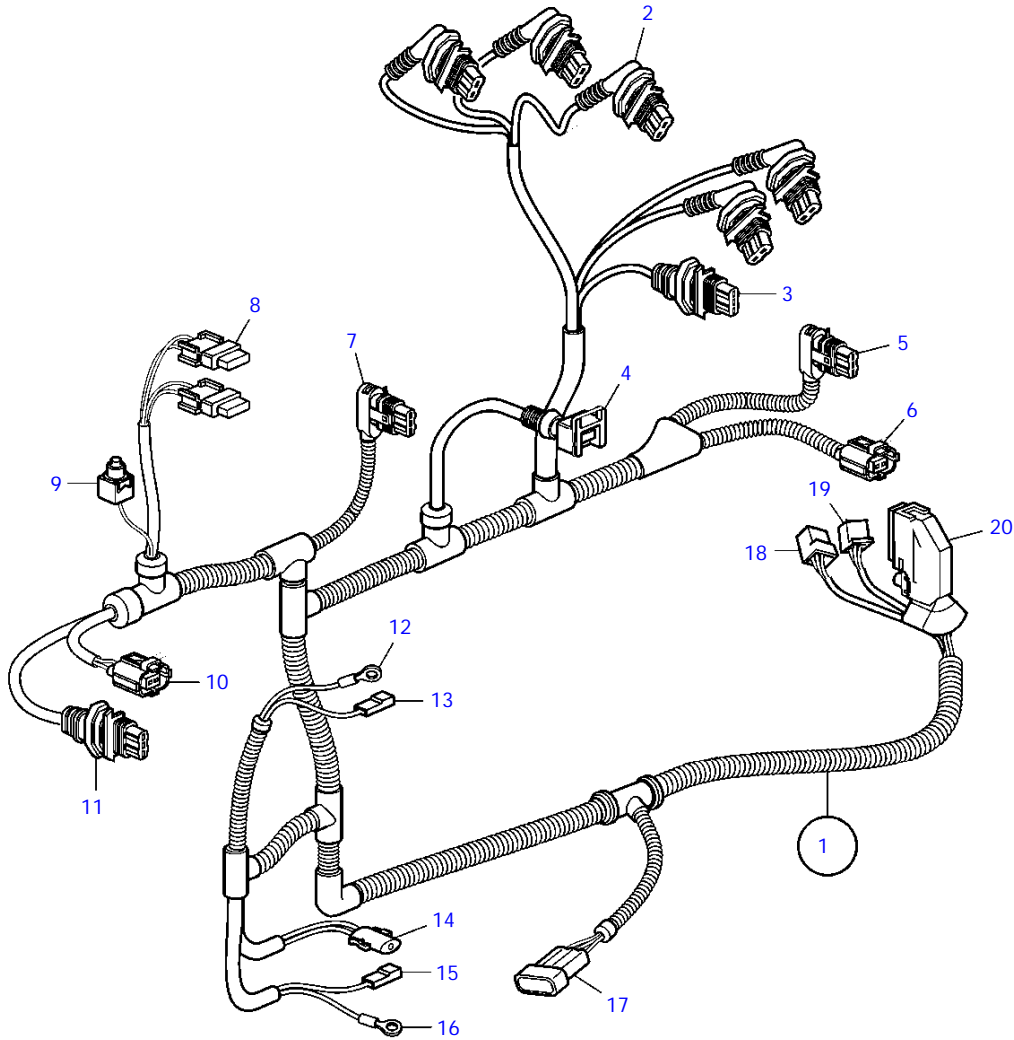
18647

D3-110I-C, D3-130A-C, D3-130I-C, D3-160A-B, D3-160I-B, D3-160A-C, D3-160I-C, D3-190A-B, D3-190I-B, D3-190A-C, D3-190I-C



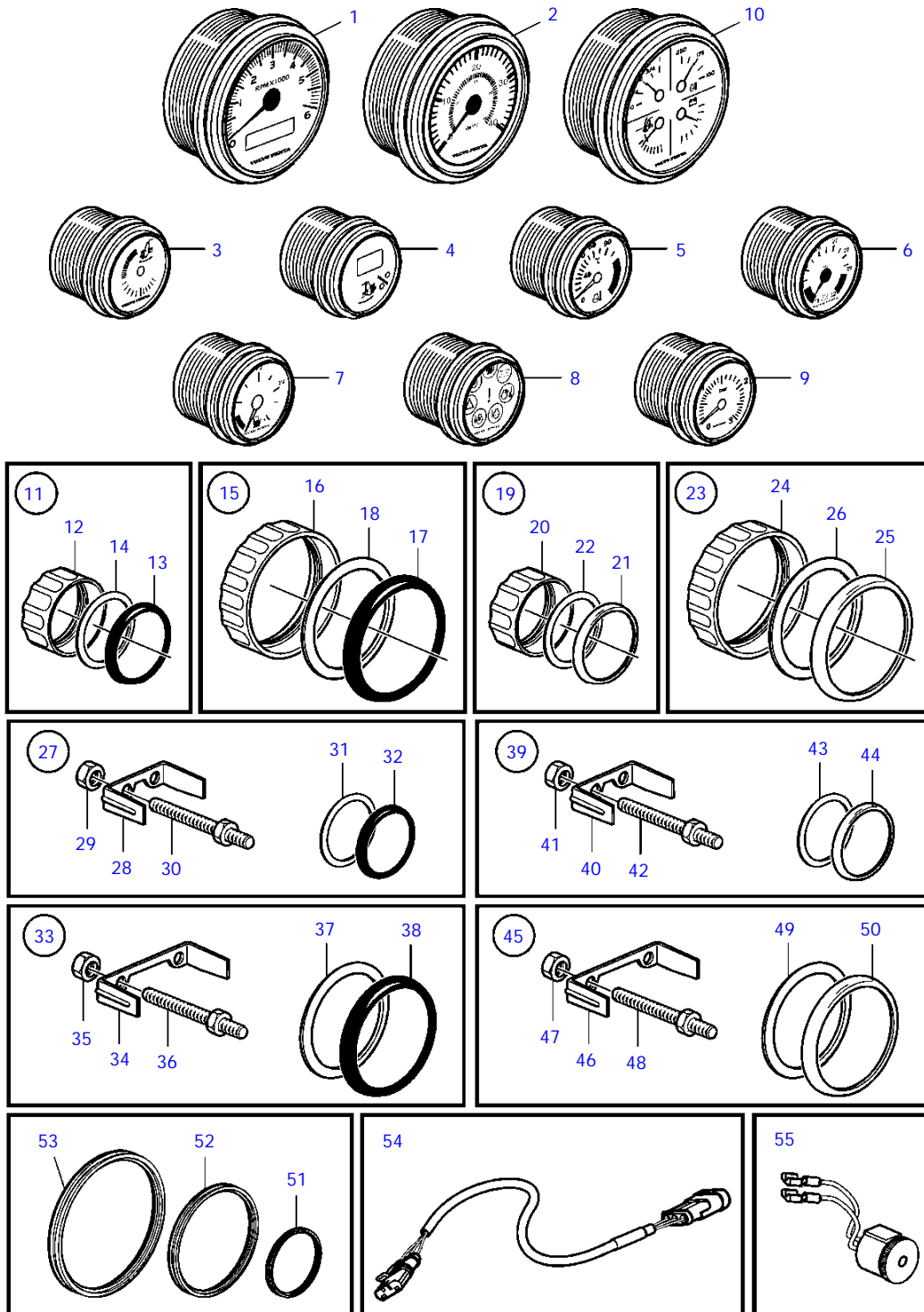
22775

D3-110I-B, D3-110I-C, D3-130A-B, D3-130I-B, D3-130A-C, D3-130I-C, D3-160A-B, D3-160I-B, D3-160A-C, D3-160I-C, D3-190A-B, D3-190I-B, D3-190A-C, D3-190I-C



22883

D3-110I-A, D3-110I-B, D3-130A-A, D3-130I-A, D3-130A-B, D3-130I-B, D3-160A-A, D3-160I-A, D3-160A-B, D3-160I-B, D3-190A-B, D3-190I-B



23768

D3-110I-C, D3-130A-C, D3-130I-C, D3-160A-C, D3-160I-C, D3-190A-C, D3-190I-C

REF	PART NO.	QTY	DESCRIPTION	SEE SEC.	NOTES
1	881801	1	Wiring harness		Included in EVC cable kit 3587052., L=2,0m
2	3587071	1	Starter switch		
	3587070	1	Starter switch		Kit with 2 key switch with identical key.
3	859953	1	* Key		State key code when ordering.
			* Bulletin 49-30	49-30-EN	Key P/N 859953
4	3887304	1	Control unit		
			* Bulletin P-28-4-11	P-28-4-11-EN	Deleted Control Units
4	3589927	1	Software		Warehouse programming. This p/n can not be ordered, but will be used for invoicing.
	3589926	1	Software		Vodia-programming. This p/n can not be ordered, but will be used for invoicing.
5	21207240	1	Wiring harness		ECU to engine
6	3587054	1	Sensor		Through hull
7	3587055	1	Sensor		Mounted on transom
8	874840	1	Sensor		Replaced by 3812291
	3812291	1	Sensor kit		Replaced by 21575479
	21575479	1	Sensor kit		
9	873772	1	* Tank sensor		
10	3807228	1	Wiring harness		For trim instrument and instrument light, L=0.5m
11	3807229	1	Wiring harness		For fuel level sender, L=5.0m
12	3885806	1	Wiring harness		For trim pump and trim sender, Included in EVC cable kit 3587052., L=5.0m
13	3842733	1	Extension cable'verl		L=3.0m, 6-Way
	3842734	1	Extension cable'verl		L=5.0m, 6-Way
	3842735	1	Extension cable'verl		L=7.0m, 6-Way
	3842736	1	Extension cable'verl		L=9.0m, 6-Way
	3842737	1	Extension cable'verl		L=11.0m, 6-Way
14	888248	1	Extension cable'verl		Multilink., L=10.0' (3.0m), 8-way.
	888249	1	Extension cable'verl		L=5.0m, 8-way.
	888250	1	Extension cable'verl		L=23.0' (7.0m), 8-way.
	888251	1	Extension cable'verl		L=9.0m, 8-way.
	888253	1	Extension cable'verl		L=11,00m, 8-way.
15	3840433	1	Sealing plug		Plug for connection in HIU when reverse gear is used.
16	3884818	1	Display, kit		Replaced by 3849972
	3849972	1	Display		Replaced by 3595108
	3595108	1	Display		Replaced by 21173162
	21173162	1	Display		
17		1	* Display		
18	830928	4	* Stud		
19	830930	4	* Nut		
20	3588207	1	* Cable kit		
21	3848966	1	Control unit		
			* Bulletin P-38-1-1	P-38-1-1-EN	ADU - Automatic Dimmer Unit
22	873112	1	Position sensor		SOLAS
23	3594603	1	Wiring harness		SOLAS
24	856337	1	Automatic fuse		50A, SOLAS
25	3594644	1	Wiring harness		SOLAS
26	3885810	1	Wiring harness		For trim pump control
27	873765	1	Relay		
28	21427463	1	Cable		For multilink aux-relay
29	21371661	1	Cable kit		Diode kit
			* Bulletin P-36-9-4	P-36-9-4-EN	Diode kit for engine control units on D3/EDC15 engines

D3-110I-A, D3-110I-B, D3-110I-C, D3-130A-A, D3-130I-A, D3-130A-B, D3-130I-B, D3-130A-C, D3-130I-C, D3-160A-A, D3-160I-A, D3-160A-B, D3-160I-B, D3-160A-C, D3-160I-C, D3-190A-B, D3-190I-B, D3-190A-C, D3-190I-C

REF	PART NO.	DESCRIPTION	NOTES
1	970624	Electric cable, type RK	1,5mm ² , black
	970626	Electric cable, type RK	1,5mm ² , red
	970661	Electric cable, type R2	1,5mm ² , red
	(970663)	Electric cable, type R2	Obsolete part, 2,5mm ² , black
	970698	Electric cable, type R2	2,5mm ² , red
	970700	Electric cable, type RK	4,0mm ² , black
	(970709)	Electric cable, type RK	Obsolete part, 6,0mm ² , black
	970711	Electric cable, type R2	6,0mm ² , red
	954485	Electric cable, type RK	16,0mm ² , red
	(954500)	Electric cable, type RK	Obsolete part, 25,0mm ² , red
	954502	Electric cable, type RK	35,0mm ² , red
2	874854	Power cable	Non reinforced ship cable approved by classification societies., 2x1,5mm ²
	(863657)	Cable	Obsolete part, Reinforced ship cable approved by classification societies., 4,0mm ² , red
	874855	Power cable	Non reinforced ship cable approved by classification societies., 2x2,5mm ²
	(842092)	Cable	Obsolete part, Non reinforced ship cable approved by classification societies., 3x1,5mm ²
	(874858)	Power cable	Obsolete part, Non reinforced ship cable approved by classification societies., 6,0mm ² , black
	(842090)	Cable	Obsolete part, Non reinforced ship cable approved by classification societies., 16,0mm ² , red
	874861	Power cable	Non reinforced ship cable approved by classification societies., 25,0mm ² , red
	874862	Power cable	Non reinforced ship cable approved by classification societies., 35,0mm ² , red
	846639	Electric cable	Non reinforced ship cable approved by classification societies., 2x1,5mm ²
	874870	Power cable	Non reinforced ship cable approved by classification societies., 2x1,5mm ²
	872679	Wiring harness	(846346)
	872939	Adapter	(846346)
	(874346)	Electric cable	Obsolete part, Reinforced ship cable approved by classification societies., RFOU 0,6/1kv
3	948211	Cable tie	3x1,5mm ²
	949666	Cable tie, with mount. Hole	3x4,0mm ²
	948616	Cable tie	3x6,0mm ²
	862832	Cable tie, steel	4x1,5mm ²
	858283	Tape	4x2,5mm ²
4	844280	Clip, battery cable +pole	16x1,5mm ²
5	(844278)	Isolation	Obsolete part, Red
6	(844279)	Isolation	Obsolete part, Black
7	954505	Cable terminal, battery cable -pole	D=77mm L=280mm
	954506	Cable terminal, battery cable +pole	D=42mm L=170mm
8	956956	Splice	D=102mm L=362mm
	956958	Splice	1,5-2,5mm ² , blue
	956960	Splice	L=61mm
9	926219	Coupling piece	Black
10	944306	Connector	Blue
11	829200	Protective cap	0,5-1,0mm ² , red
12	(1234326)	Protecting casing	Obsolete part, 1,5-2,5mm ² , blue
13	960140	Washer	3-6mm ² , yellow
14	941269	Plug	Max 20mm ² , 12-pole
	821053	Protecting bushing	I.D.=35mm
	943920	Plug	I.D.=40mm
15		Diode	
16		Diode	
17	970788	Cable terminal	M5x1,1-2,5mm ²
	970789	Cable terminal	M6x1,1-2,5mm ²
	(970791)	Cable terminal	Obsolete part, M10x1,1-2,5mm ²
18	881492	Cable terminal	M4x1,1-2,5mm ²
	881493	Cable terminal	M5x1,1-2,5mm ²
	881508	Cable terminal	M6x1,1-2,5mm ²
	881494	Cable terminal	M8x1,1-2,5mm ²
	881504	Cable terminal	M10x1,1-2,5mm ²
	881506	Cable terminal	M4x2,6-6,0mm ²
	881495	Cable terminal	M5x2,6-6,0mm ²
	881496	Cable terminal	M6x2,6-6,0mm ²
	881497	Cable terminal	M8x2,6-6,0mm ²
	881498	Cable terminal	M10x2,6-6,0mm ²
	940331	Cable terminal	M5x6,1-10,0mm ²
	940332	Cable terminal	M6x6,1-10,0mm ²
	940333	Cable terminal	M8x6,1-10,0mm ²
	(940334)	Cable terminal	Obsolete part, M10x6,1-10,0mm ²
	881512	Cable terminal	M5x10,1-16,0mm ²
	940335	Cable terminal	M6x10,1-16,0mm ²
	940336	Cable terminal	M8x10,1-16,0mm ²
	940337	Cable terminal	M10x10,1-16,0mm ²
19	949587	Cable terminal	M10x10mm ²
20	8140576	Nut	M4
21	865758	Cable terminal	I.D.=12,5 D=23mm
22	944485	Cable terminal	6,3xM5x180
23	839328	Tab	16,3x6,3x0,8
24	881491	Cable terminal	6,3x0,75-2,1mm ²
25	853015	Cable terminal	For trim instrument., For 853866, Yasaki
26	942429	Cable terminal	For 853866, Yasaki
27	3829867	Cable terminal	
	3829868	Cable terminal	
28	970777	Cable terminal	
29	968377	Housing	2,8x2 natural
	968379	Housing	2,8x2 gray
30	968376	Housing	4,8/2,8x2 natural
	968378	Housing	4,8/2,8x2 gray
31	974313	Cable terminal	2,8x0,8x1,1-2,5mm ²
32	968401	Housing	2,8x8 natural
33	968400	Housing	4,8/2,8x8 natural
34	976256	Housing	2-pole
35	967713	Housing	3-pole

D3-110I-A, D3-110I-B, D3-110I-C, D3-130I-A, D3-130I-B, D3-130I-C, D3-160I-A, D3-160I-B, D3-160I-C, D3-190I-B, D3-190I-C

REF	PART NO.	QTY	DESCRIPTION	NOTES
1	3807634	1	Hose	
2	993963	6	Hose clamp	
3	967645	1	Clamp	Mount on engine suspension.
4	947542	1	Flange screw	Mount on engine suspension.
5	945407	1	Flange nut	Mount on engine suspension.
6	861090	1	Tube	
7	953067	4	Stud	
8	971095	4	Flange nut	
9	946472	2	Flange screw	
10	3580798	1	Clamp	
11	944926	1	Flange screw	

D3-110I-A, D3-110I-B, D3-110I-C, D3-130A-A, D3-130I-A, D3-130A-B, D3-130I-B, D3-130A-C, D3-130I-C, D3-160A-A, D3-160I-A, D3-160A-B, D3-160I-B, D3-160A-C, D3-160I-C, D3-190A-B, D3-190I-B, D3-190A-C, D3-190I-C

REF	PART NO.	QTY	DESCRIPTION	NOTES
1	1140095	1	Control mechanism	
2	(851712)	1	* Connector kit	Obsolete part
3	17253	2	* * Split pin	
4	839638	2	* * Cube	
5	852924	1	* * Clip	
6		1	* Mechanism	
7		1	* *	
8		4	* *	
9	(851665)	1	* * Control mechanism	Obsolete part
10	963548	4	* * Hexagon screw	

CLICK HERE TO **DOWNLOAD** THE COMPLETE MANUAL

- Thank you very much for reading the preview of the manual.
- You can download the complete manual from: www.heydownloads.com by clicking the link below



- Please note: If there is no response to CLICKING the link, please download this PDF first and then click on it.

CLICK HERE TO **DOWNLOAD** THE COMPLETE MANUAL