

XERION 5000 - 4000  
GNSS ready

**CLAAS**

## Anbauanleitung

GPS PILOT

## Fitting Instructions

GPS PILOT

## Notice de montage

GPS PILOT

## Instrucciones de montaje

GPS PILOT

## Istruzioni di montaggio

GPS PILOT

## Руководство по установке

GPS PILOT



CLICK HERE TO **DOWNLOAD** THE COMPLETE MANUAL

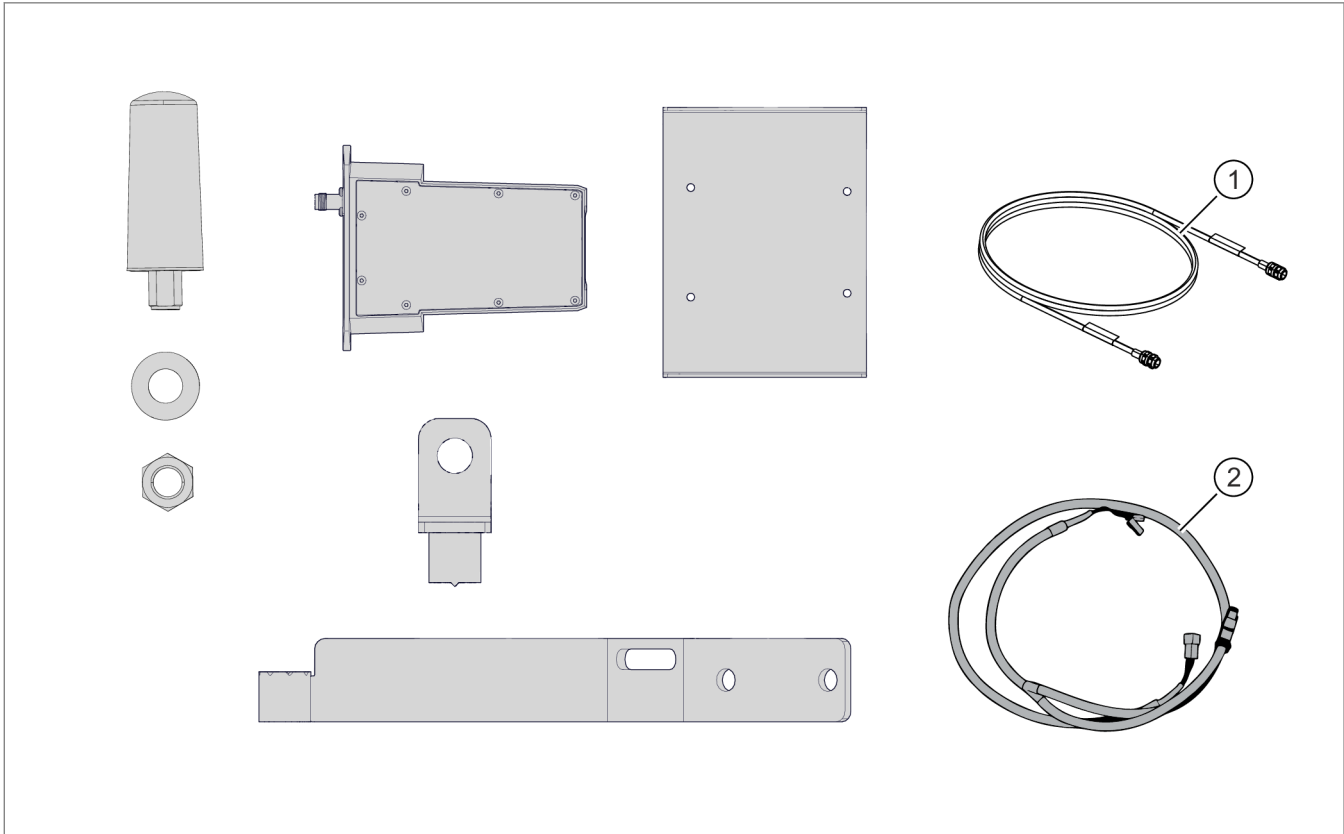
- Thank you very much for reading the preview of the manual.
- You can download the complete manual from: [www.heydownloads.com](http://www.heydownloads.com) by clicking the link below



- Please note: If there is no response to CLICKING the link, please download this PDF first and then click on it.

CLICK HERE TO **DOWNLOAD** THE COMPLETE MANUAL

**RTK FIELD BASE / BASELINE HD**



263488-003

**2**

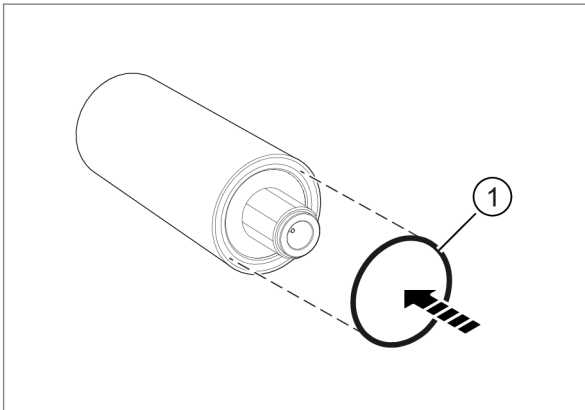
1	00 1400 075 X	—
2	00 1811 291 X	—



161730-001

1		—
2		—

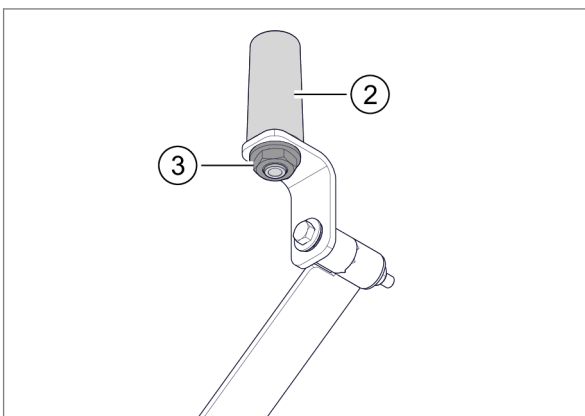
24



161712-002

1		—
2		—
3		—

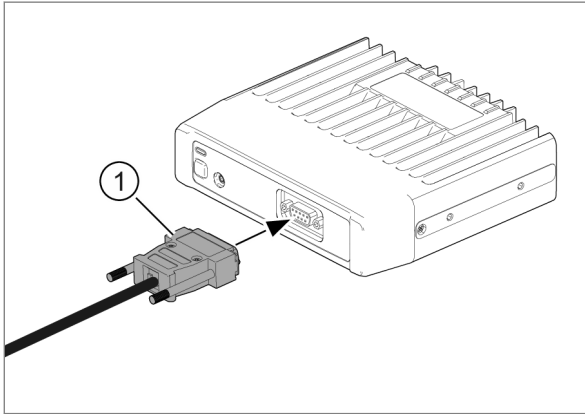
25



246020-002

26

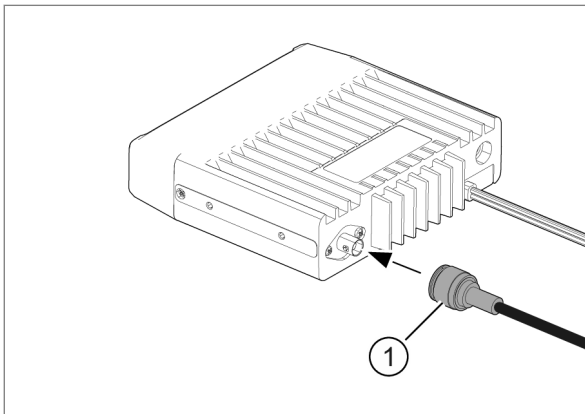
**RTK FARM BASE**



311495-001

1		00 1811 291 X X64T
---	--	-----------------------

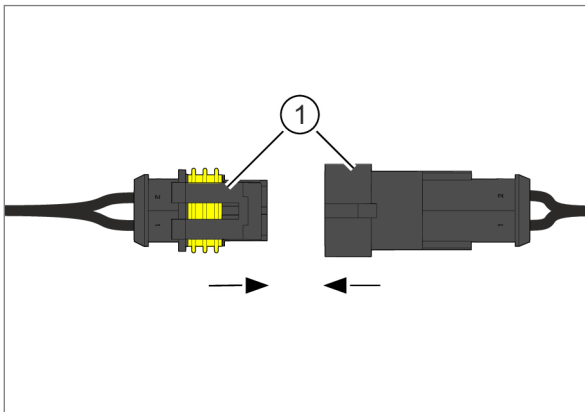
**53**



311496-001

1		00 0016 443 X XC
---	--	---------------------

**54**

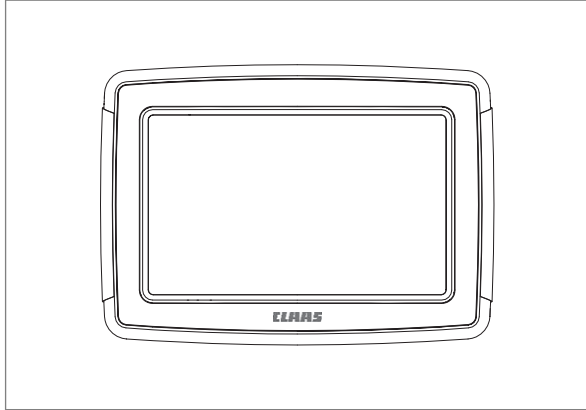


311497-001

1		00 1811 291 X XMOTO
---	--	------------------------

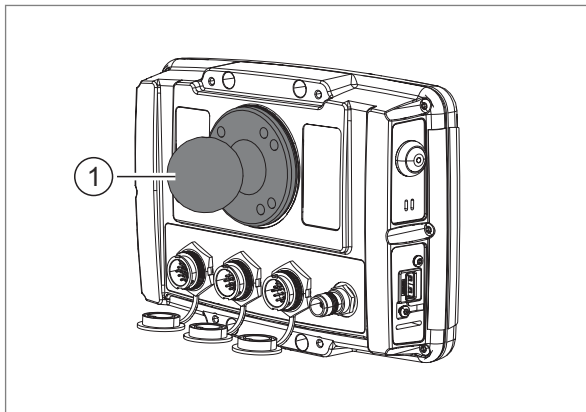
**55**

**S7**



187320-001

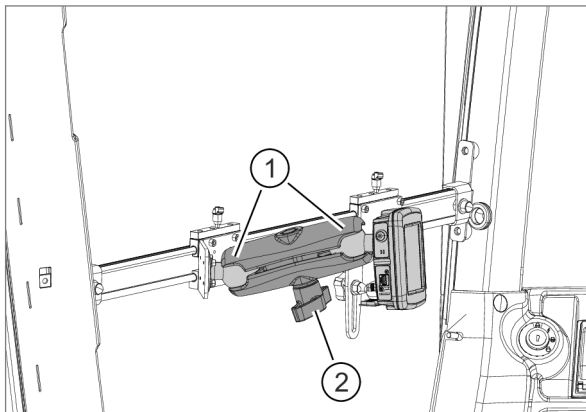
**83**



187352-001

1		—
---	--	---

**84**



262646-001

1		—
2		—

**85**

CLICK HERE TO **DOWNLOAD** THE COMPLETE MANUAL

- Thank you very much for reading the preview of the manual.
- You can download the complete manual from: [www.heydownloads.com](http://www.heydownloads.com) by clicking the link below



- Please note: If there is no response to CLICKING the link, please download this PDF first and then click on it.

CLICK HERE TO **DOWNLOAD** THE COMPLETE MANUAL