

XERION 5000 - 4000
GNSS ready

CLAAS

Anbauanleitung

GPS PILOT

Fitting Instructions

GPS PILOT

Notice de montage

GPS PILOT

Instrucciones de montaje

GPS PILOT

Istruzioni di montaggio

GPS PILOT

Руководство по установке

GPS PILOT



CLICK HERE TO **DOWNLOAD** THE COMPLETE MANUAL

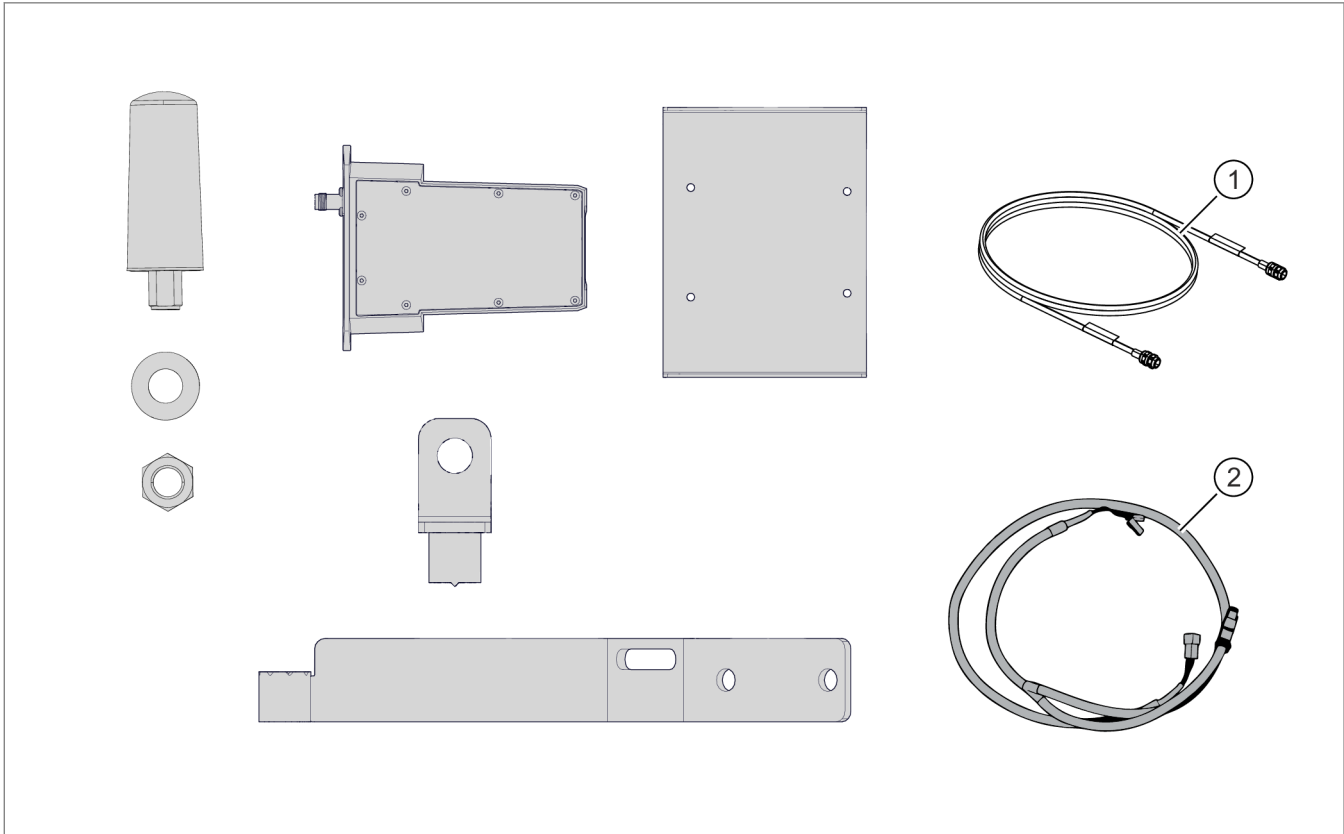
- Thank you very much for reading the preview of the manual.
- You can download the complete manual from: www.heydownloads.com by clicking the link below



- Please note: If there is no response to CLICKING the link, please download this PDF first and then click on it.

CLICK HERE TO **DOWNLOAD** THE COMPLETE MANUAL

RTK FIELD BASE / BASELINE HD



263488-003

2

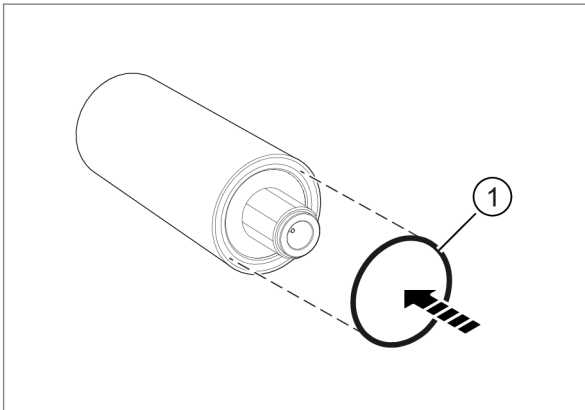
1	00 1400 075 X	—
2	00 1811 291 X	—



161730-001

1		—
2		—

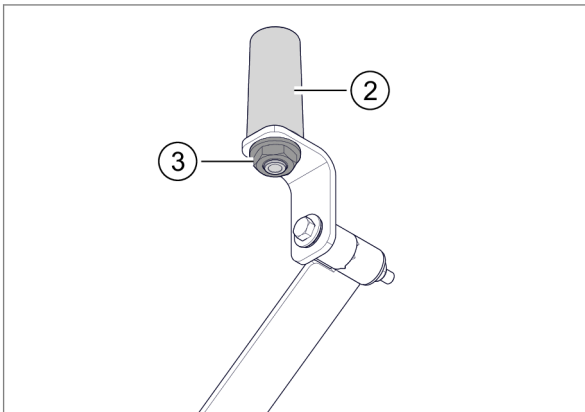
24



161712-002

1		—
2		—
3		—

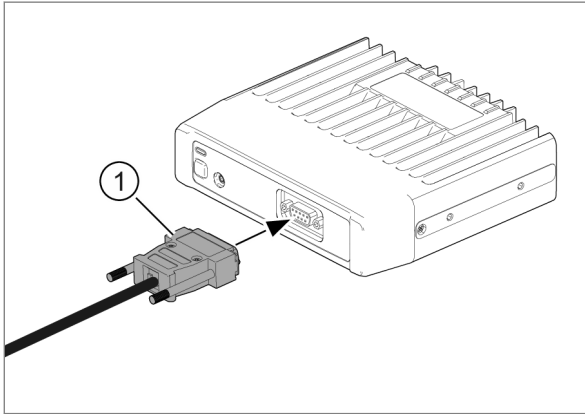
25




246020-002

26

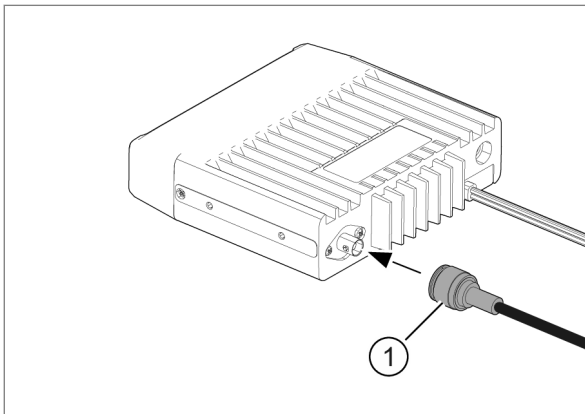
RTK FARM BASE




311495-001

1		00 1811 291 X X64T
---	--	-----------------------

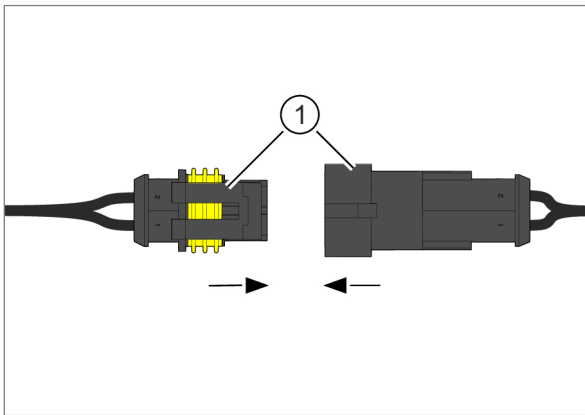
53




311496-001

1		00 0016 443 X XC
---	--	---------------------

54

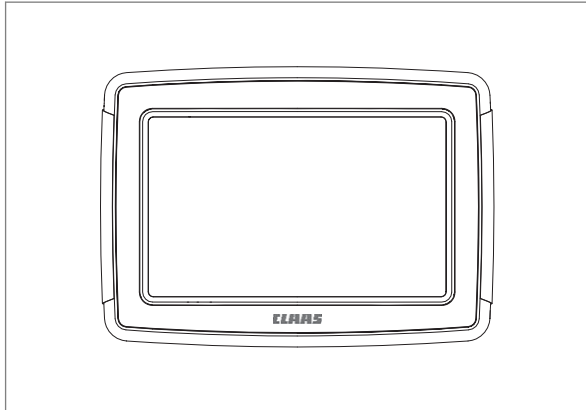


311497-001

1		00 1811 291 X XMOTO
---	--	------------------------

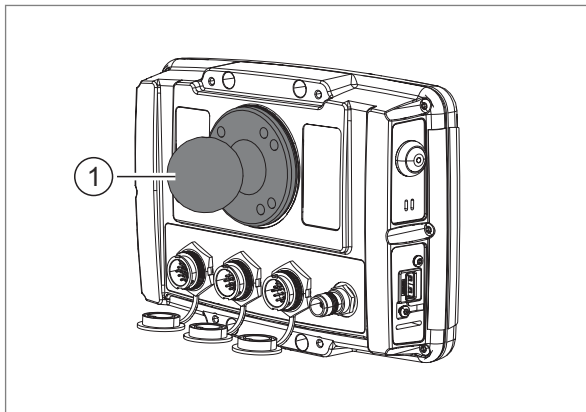
55

S7



187320-001

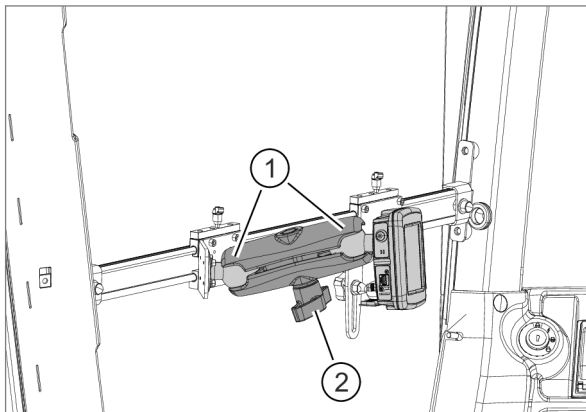
83



187352-001

1		—
---	--	---

84



262646-001

1		—
2		—

85

CLICK HERE TO **DOWNLOAD** THE COMPLETE MANUAL

- Thank you very much for reading the preview of the manual.
- You can download the complete manual from: www.heydownloads.com by clicking the link below



- Please note: If there is no response to CLICKING the link, please download this PDF first and then click on it.

CLICK HERE TO **DOWNLOAD** THE COMPLETE MANUAL