

Zusammenbauanleitung

Руководство по сборке

Assembly instructions

Instrukcja składania

Instruction de montage

安装说明

Intruzioni di montaggio

Instrucciones de montaje



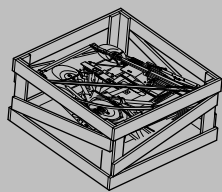
CLICK HERE TO **DOWNLOAD** THE COMPLETE MANUAL

- Thank you very much for reading the preview of the manual.
- You can download the complete manual from: www.heydownloads.com by clicking the link below


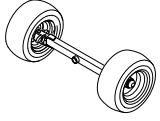
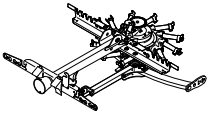
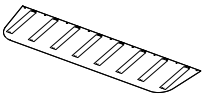
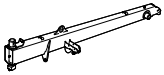

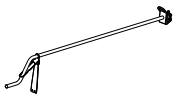
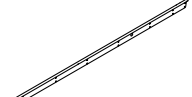

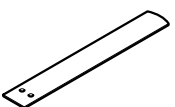
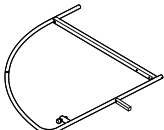

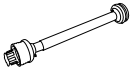
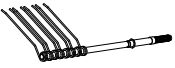
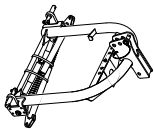



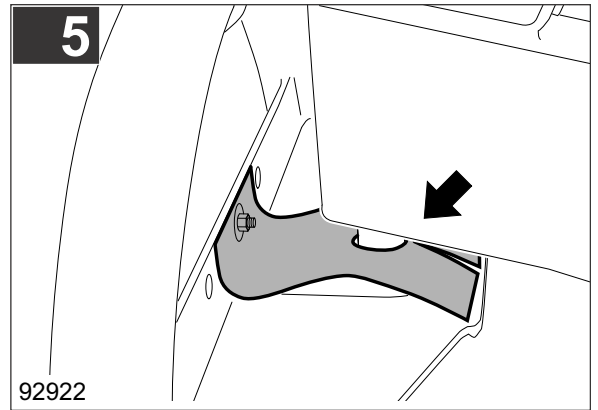
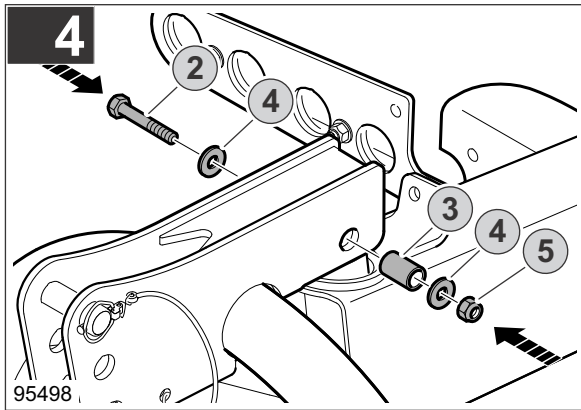
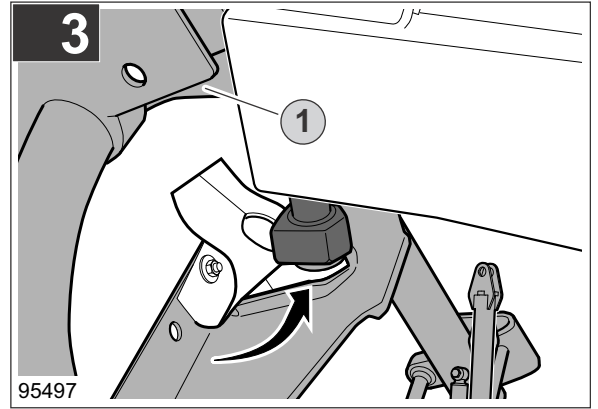
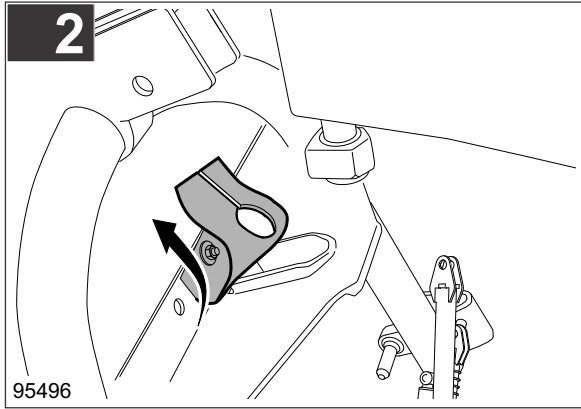
- Please note: If there is no response to CLICKING the link, please download this PDF first and then click on it.

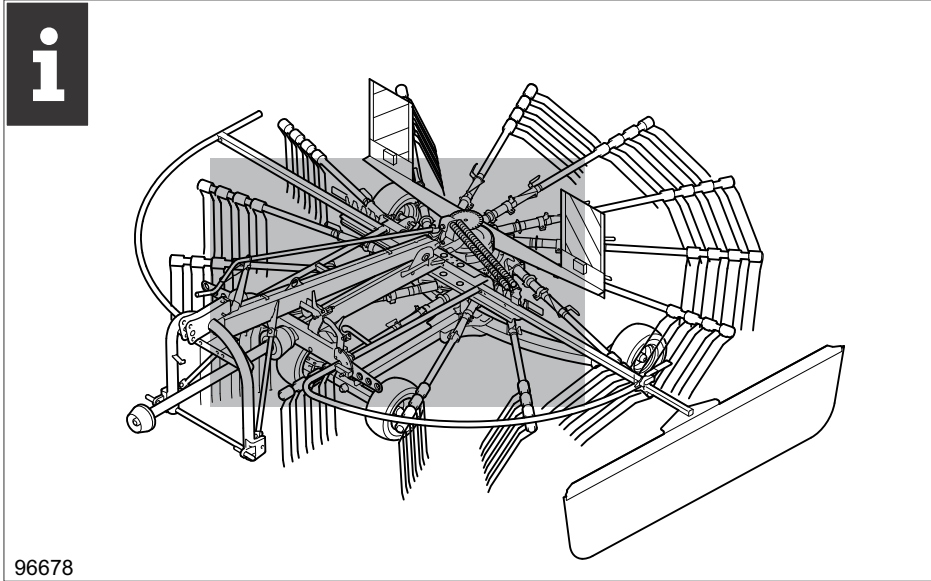
CLICK HERE TO **DOWNLOAD** THE COMPLETE MANUAL

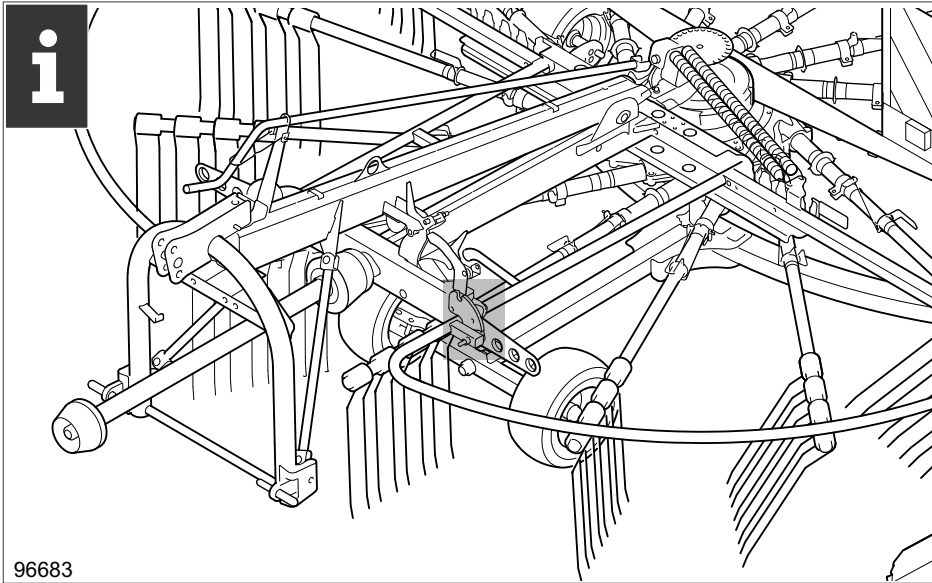


LINER 500

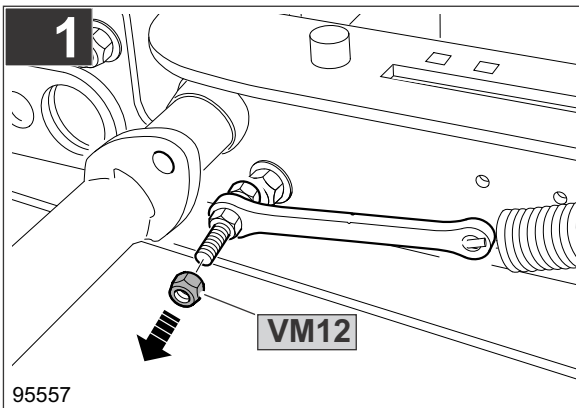
	1x			1x	
	1x			1x	
	1x			1x	
	1x			1x	
	1x			8x	40x1,5x400
	1x			8x	40x1,5x35
	1x			14x	
	1x			2x	18 x 8.50 8 6PR



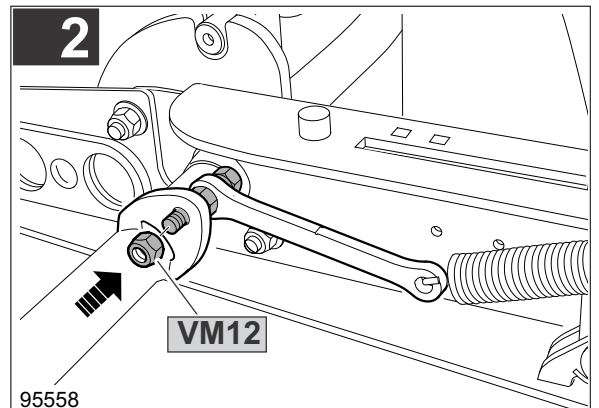




96683



95557



95558

CLICK HERE TO **DOWNLOAD** THE COMPLETE MANUAL

- Thank you very much for reading the preview of the manual.
- You can download the complete manual from: www.heydownloads.com by clicking the link below



- Please note: If there is no response to CLICKING the link, please download this PDF first and then click on it.

CLICK HERE TO **DOWNLOAD** THE COMPLETE MANUAL