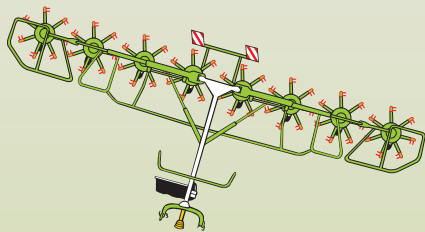


CLAAS



VOLTO 1050 T

Assembly and operator's manual

SERVICE & PARTS

CLICK HERE TO **DOWNLOAD** THE COMPLETE MANUAL

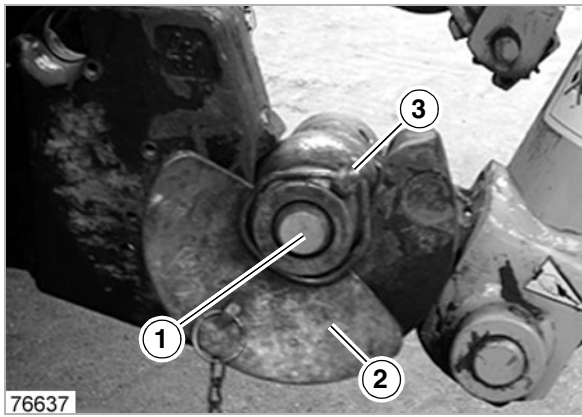
- Thank you very much for reading the preview of the manual.
- You can download the complete manual from: www.heydownloads.com by clicking the link below



- Please note: If there is no response to CLICKING the link, please download this PDF first and then click on it.

CLICK HERE TO **DOWNLOAD** THE COMPLETE MANUAL

The warning and danger signs attached to the machine contain important instructions for safe operation. These instructions involve your safety – observe them at all times!



1

ATTACHMENT TO THE TRACTOR



DANGER

Switch off the engine before working on the machine.

- Remove the ignition key!

Before putting the machine into operation for the first time, match the hitching and the universal drive shaft to the tractor.



DANGER

When lifting and lowering the machine there is danger of injury by pinching or shearing areas in the vicinity of the headstock.

- Keep hands out of hazardous crush or pinch areas as long as parts there may still be moving.

The suspension bolts (1) of the tow ball are designed for tail three point linkage, Category 2.



DANGER

Machine damage and danger of accidents!

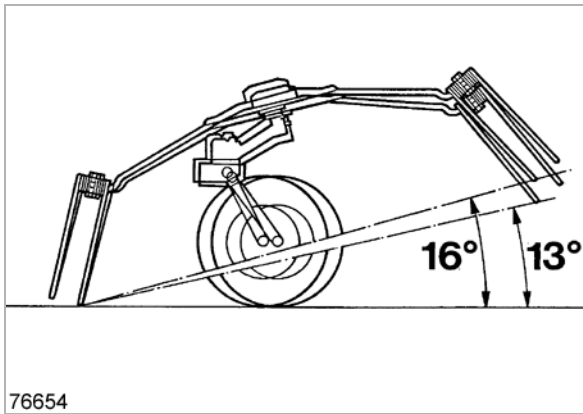
- The hooks on the lower link must be properly located in position and, if necessary, be secured using a screw or locking pin
- see *Manufacturer's documentation*.

On tractors with lower links hook, fit the ball type profiles (2) onto the suspension bolts and secure.

Hook the tractor lower link into the suspension bolts (1) of the tow ball and secure with the lynch pin (3).

Secure the lower link laterally.

(Fig. 1)



15

Varying the spreading angle

The spreading angle should be changed to match forage length, forage type, and the drying process.

The ejection range and the ejection height (scatter pattern) of the fodder is affected by altering the inclination of the rotors.

Complete and efficient pick-up of the crops also depends on selection of the right spreading angle.

- 16° spreading angle = greater ejection range:
With wet, long and heavy forage; windrows; hay-making.
- 13° spreading angle = greater pick-up width:
With dry, short and light forage; laying crops; very windy conditions.

(Fig. 15)



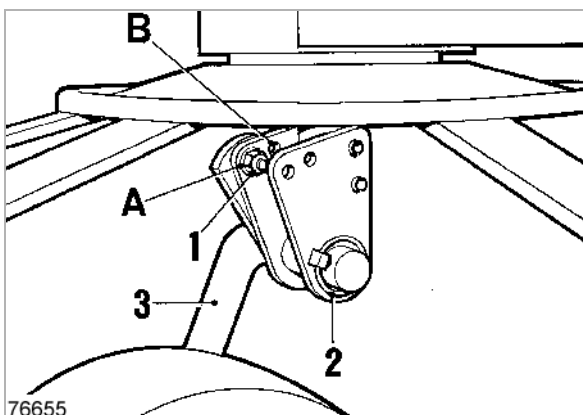
16

Raise the chassis to adjust the spreading angle. Unscrew the grub screw (1) in the castellated bushing (2) of the inner rotor. Turn the bushing to the desired position and tighten the screw again.

In top position, (Fig. 16) the spreading angle is 16°; if the bushing is turned 90°, the spreading angle is 13°.

i NOTE

The two castellated bushings must always be in the same position.



17

To adjust, remove nut (1), remove lynch pin (2) and insert wheel bracket (3) into one of the two drilled holes. Reattach lynch pin (2) and nut (1).

Drilled hole (A) = 16° spreading angle

Drilled hole (B) = 13° spreading angle

(Fig. 17)



3

HYDRAULIC SYSTEM

Repair work on the hydraulic system must be carried out by authorised workshops, if possible your CLAAS partner.

Hydraulic hose connections

Check hydraulic hose connections before putting the machine into operation for the first time and afterwards at least once a year.

Replace hydraulic hose connections when damaged or aged!



NOTE

Hydraulic hose connections may be used for a maximum period of 6 years after production.

The production date (month and year) is shown on the hydraulic hose connection.

Example: The mark "1Q2006" indicates that it was manufactured in the first quarter of 2006.

(Fig. 3)

CLICK HERE TO **DOWNLOAD** THE COMPLETE MANUAL

- Thank you very much for reading the preview of the manual.
- You can download the complete manual from: www.heydownloads.com by clicking the link below



- Please note: If there is no response to CLICKING the link, please download this PDF first and then click on it.

CLICK HERE TO **DOWNLOAD** THE COMPLETE MANUAL